

Low and high voltage electric motors

Instructions manual for installation, operation and maintenance of electric motors

EN
03

Motores elétricos de baixa e alta tensão

Manual de instalação, operação e manutenção de motores elétricos

PT
06

Motores eléctricos de baja y alta tensión

Manual de instalación, operación y mantenimiento de motores eléctricos

ES
10

Nieder- und Hochspannungsmotoren

Installations-, Betriebs- und Wartungsanleitung für elektrische Motoren

DE
14

Moteurs électriques à basse et haute tension

Consignes de sécurité pour l'installation, l'utilisation et la maintenance de moteurs électriques

FR
18

Электродвигатели низкого и высокого напряжения

Инструкция по установке, эксплуатации и техническому обслуживанию электромоторов

RU
22

Elektrische motoren van lage en hoge spanning

Veiligheidsinstructies voor installatie, bediening en onderhoud van elektrische motoren

NL
26

Motori elettrici di bassa e alta tensione

Manuale di installazione, gestione e manutenzione di motori elettrici

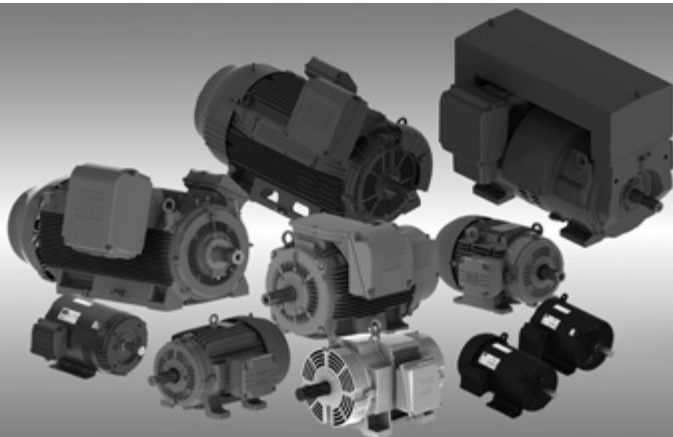
IT
30

低壓及高壓電動機

电动机安装、操作及维修安全手册

CN
34

More languages see website www.weg.net



EU DECLARATION OF CONFORMITY

Manufacturers:

WEG EQUIPAMENTOS ELÉTRICOS S.A.
Av. Prefeito Waldemar Grubba, 3000
89256-900 - Jaraguá do Sul - SC - Brazil
www.weg.net

WEG Linhares Equipamentos Elétricos S.A.
Rod. BR 101, Km 161,5, s/n.
Distrito Industrial Rio Quartel, Bairro Rio
Quartel de Baixo
29915-500 - Linhares - ES - Brazil
www.weg.net

WEG MEXICO, S.A. DE C.V.
Carretera Jorobas - Tula Km 3,5,
Manzana 5, Lote 1, Fraccionamiento
Parque Industrial Huehuetoca, Municipio
de Huehuetoca, C.P. 54680, CD. de
Mexico y Area Metropolitana - Mexico
www.weg.net/mx

**WEG (JIANGSU) ELECTRIC
EQUIPMENT CO., LTD.**
No. 15 Group, North City Street,
Dengyuan Community
Rugao City, Jiangsu Province - China
www.weg.net/cn

**WEG (NANTONG) ELECTRIC MOTOR
Manufacturing CO., LTD.**
No. 128# - Xinkai South Road, Nantong
Economic & Technical Development
Zone, Nantong, Jiangsu Province - China
www.weg.net/cn

**WEGEURO - INDUSTRIA
ELECTRICA S.A.**
Headquarters:
Rua Eng Frederico Ulrich,
Apartado, 6074
4476-908 - Maia - Porto - Portugal
www.weg.net/pt
CONTACT PERSON: Luís Filipe
Oliveira Silva Castro Araújo
Authorised Representative in the
European Union
(Single Contact Point)

Branch - Santo Tirso:
Parque Industrial da Ermida
Avenida Luis Areal - Sta Cristina
do Couto
4780-165 - Santo Tirso - Portugal
www.weg.net/pt

The manufacturer declares under sole responsibility that:

WEG electric motors and components used for following motor lines:
W01, W11, W20, W21, W22, W40, W50, HGF, Roller Table, W22 Magnet and W22 Quattro

when installed, maintained and used in applications for which they were designed, and in compliance with the relevant installation standards and manufacturer's instructions, comply with the provisions of the following relevant European Union harmonisation legislation, wherever applicable:

Low Voltage Directive 2014/35/EU*
**Regulation (EC) No 640/2009*, Regulation (EU) No 4/2014* and
Directive 2009/125/EC***
Machinery Directive 2006/42/EC**

EMC Directive 2014/30/EU (electric motors are considered inherently benign in terms of electromagnetic compatibility)

The fulfilment of the safety objectives of the relevant European Union harmonisation legislation has been demonstrated by compliance with the following standards, wherever applicable:

EN 60034-1:2010 + AC:2010/ EN 60034-2-1:2007/ EN 60034-5:2001 + A1:2007/ EN 60034-6:1993/
EN 60034-7:1993 + A1:2001/ EN 60034-8:2007 + A1: 2014/ EN 60034-9:2005 + A1:2007/ EN 60034-11:2004/
EN 60034-12:2002 + A1:2007/ EN 60034-14:2004 + A1:2007/ EN 60034-30:2009/
EN 60204-1:2006 + A1:2009 + AC:2010 and EN 60204-11:2000 + AC:2010

CE marking in: **1996**

* Electric motors designed for use with a voltage rating higher than 1000V are not considered under the scope.

** Low voltage electric motors are not considered under the scope and electric motors designed for use with a voltage rating higher than 1000V are considered partly completed machinery and are supplied with a

Declaration of Incorporation:

The products above cannot be put into service until the machinery into which they have been incorporated has been declared in conformity with the Machinery Directive.

A Technical Documentation for the products above is compiled in accordance with part B of annex VII of Machinery Directive 2006/42/EC.

We undertake to transmit, in response to a reasoned request by the national authorities, relevant information on the partly completed machinery identified above through WEG authorised representative established in the European Union. The method of transmission shall be electronic or physical method and shall be without prejudice to the intellectual property rights of the manufacturer.

Jaraguá do Sul, January 16th, 2017

Signed for and on behalf of the manufacturer:

Milton Oscar Castella
Engineering Director

ENGLISH

1. INTRODUCTION

The installation, operation and maintenance of the motor must be always performed by qualified personnel using proper tools and methods and following the instructions contained in the documents supplied with the motor.

The instructions presented in this document are valid for WEG motors with the following characteristics:

- Three-phase and single-phase induction motors (squirrel cage rotor);
- Three-phase permanent magnet motors;
- Three-phase hybrid motors (squirrel cage rotor + permanent magnets);

The objective of this manual is to provide important information, which must be considered during the shipment, storage, installation, operation and maintenance of WEG motors. Therefore, we advise to make a careful and detailed study of the instructions contained herein before performing any procedures on the motor. The noncompliance with the instructions informed in this manual and others mentioned on the website www.weg.net voids the product warranty and may cause serious personal injuries and material damages.

Electric motors have energized circuits and exposed rotating parts which may cause injuries to people.

2. SHIPMENT, STORAGE AND HANDLING

Check the conditions of the motor immediately upon receipt. When any damage is noticed, this must be reported in writing to the transportation company, and immediately communicated to the insurance company and to WEG. In this case, no installation job can be started before the detected problem has been solved.

Check if the nameplate data matches the invoice data and the environmental conditions in which the motor will be installed. If the motor is not immediately installed, it must be stored in a clean and dry room protected against dust, vibrations, gases and corrosive agents, and with relative humidity not exceeding 60%.

In order to prevent water condensation within the motor during the storage period, it is recommended to keep the space heater ON (where provided). In order to prevent oxidation of the bearings and ensure an even distribution of the lubricant, rotate the motor shaft at least once a month (at least five turns), always leaving it in a different position. For bearings with oil mist lubrication systems, the motor must be stored horizontally, independently from the mounting configuration, with ISO VG 68 oil in the bearing, (the amount is indicated in the motor manual available on the website www.weg.net) and the shaft must be turned weekly. If motors with open bearings are stored longer than six months, the bearings must be relubricated with the amount of grease indicated on the nameplate before the commissioning of the motor. If the motors are stored for more than two years, it is recommended to change the bearings, or to remove, wash, inspect and relubricate them before the motor is started. After this storage period, it is also recommended to change the start capacitors of single-phase motors since they lose their operating characteristics.



Handle the motor always carefully in order to prevent impacts and damages to the bearings and always install the shaft transportation/locking device (if supplied) when transporting the motor.

Use only the eyebolts to lift the motor. However these eyebolts are designed for the motor weight only. Thus never use these eyebolts to lift the motor with additional loads coupled to it. The lifting eyebolts of the terminal box, fan cover, etc., are intended to handle only these parts when disassembled from the motor. For multimounting motors (with removable feet/base), the eyebolts must be positioned according to the motor mounting position so that the lifting angle is vertically aligned (lifting at 0°). Additional information regarding the maximum allowable angle-of-inclination is indicated in the general manual available on the website www.weg.net.

Periodically and mainly before the initial start-up, measure the insulation resistance of the motor winding. Check the recommended values and the measuring procedures in the website.

3. INSTALLATION



During the installation, the motors must be protected against accidental energization. Check the motor direction of rotation, turning it without load before it is coupled to the load.

Remove the transportation devices and shaft locking device (if supplied) before starting the motor installation. Motors must be only installed in places compatible with their mounting features and in applications and environments for which they are intended.

Those motors with feet must be installed on bases duly planned in order to prevent vibrations and assure perfect alignment. The motor shaft must be properly aligned with the shaft of the driven machine. Incorrect alignment, as well as improper belt tension, will certainly damage the bearings, resulting in excessive vibrations and even causing the shaft to rupture. The admissible shaft radial and axial loads indicated in the general manual of the website must be respected. Use flexible coupling whenever possible. When motors are fitted with oil lubricated bearings or oil mist lubrication systems, connect the cooling and lubrication tubes (where provided).

For oil lubricated bearings, the oil level must be in the center of the sight glass.

Only remove the corrosion protection grease from the shaft end and flange immediately before the motor installation.

Unless specified otherwise in the purchase order, WEG motors are dynamically balanced with "half key" and without load (uncoupled). The driving elements, such as pulleys, couplings, etc., must be balanced with "half key" before they are mounted on the shaft of the motors.

Observe the correct assembly position of the drains as indicated in the manual on the website www.weg.net



Do not cover and block the motor ventilation openings. Ensure a minimum clearance of ¼ (25%) of the diameter of the air intake of the fan cover from the walls. The air used for cooling the motor must be at ambient temperature, limited to the temperature indicated on the motor nameplate.

Motors installed outdoors or in the vertical position require the use of additional shelter to protect them from water; for instance, use of a drip cover.

To prevent accidents, ensure that the grounding connection has been performed according to the applicable standards and that the shaft key has been securely fastened before the motor is started. Connect the motor properly to the power supply by means of safe and permanent contacts, always considering the data informed on the nameplate, such as rated voltage, wiring diagram, etc.

For power cables and grounding system connections, terminal box and drip cover assembly, the tightening torques indicated on Table 3.1 must be respected.

Table 3.1 - Tightening torques for fixing elements [Nm]

Component	M4	M5	M6	M8	M10	M12	M14	M16	M20	UNF 8x32	UNF 10x32	UNC 10x24
Terminal block pins	1 to 1,5	2 to 4 ¹⁾	4 to 6,5	6,5 to 9	10 to 18	15,5 to 30	-	30 to 50	50 to 75	1 to 2	-	-
Grounding	1,5 to 3	3 to 5	5 to 10	10 to 18	28 to 40	45 to 70	-	115 to 170	-	-	-	2,5 to 3
Terminal box cover	-	3 to 5	4 to 8	8 to 15	18 to 30	25 to 40	30 to 45	35 to 50	-	-	-	2,5 to 3
Drip cover installed in the fan cover	1,5 to 2,3	3,5 to 5	6 to 9	14 to 20	-	-	-	-	-	-	1 to 1,5	-
Drip cover installed in NDE shield	-	3,5 to 5	6 to 9	14 to 20	-	-	-	-	-	-	1,5 to 2	2,5 to 3

1) For 12-pin terminal block, the tightening torque range allowed is: minimum 1.5 Nm and maximum 2.5 Nm.

For power cables, switching and protection devices dimensioning, consider the rated motor current, the service factor, and the cable length, among others. For motors without terminal block, insulate the motor terminal cables by using insulating materials that are compatible with the insulation class informed on the nameplate. The minimum insulation distance between the non-insulated live parts themselves and between live parts and the grounding must meet the applicable standards and regulations for each country.



Take the required measures in order to ensure the degree of protection indicated on the motor nameplate:

- unused cable inlet holes in the terminal boxes must be properly closed with blanking plugs;
- the cable entries used must be fitted with components, such as, cable glands and conduits;
- components supplied loose (for example, terminal boxes mounted separately) must be properly closed and sealed;
- fixing elements mounted in the threaded through holes in the motor enclosure (for example, the flange) must be properly sealed.

The motor must be installed with overload protection devices. For three-phase motors, it is recommended to install a phase failure protection device. When motor is fitted with temperature-monitoring devices in the stator windings and/or bearings, they must be connected during the operation and even during tests. Ensure the correct operation of the accessories (brake, encoder, thermal protection, forced ventilation, etc.) installed on the motor before it is started.



Motors fitted with Automatic Thermal Protectors will reset automatically as soon as the motor cools down. Thus, do not use motors with Automatic Thermal Protection in applications where the auto-resetting of this device may cause injuries to people or damage to equipment. Motors fitted with Manual Thermal Protectors require manual reset after they trip. If the Automatic Thermal Protector or the Manual Thermal Protector trip, disconnect the motor from the power supply and investigate the cause of the thermal protector tripping. W22 Magnet motors must be driven by WEG variable frequency drives only.

For information about the use of variable frequency drives, follow the instructions in the documents 50033244 ("Installation, Operation and Maintenance Manual of Electric Motors") and 50029350 ("Induction motors fed by PWM frequency inverters") in the website www.weg.net and in the manual of the variable frequency drive.

4. OPERATION



During operation, do not touch the non-insulated energized parts and never touch or stay too close to rotating parts.

Ensure that the space heater is always OFF during the motor operation.

The rated performance values and the operating conditions are specified on the motor nameplate. The voltage and frequency variations of the power supply should never exceed the limits established in the applicable standards.

Occasional different behavior during the normal operation (actuation of thermal protections, noise level, vibration level, temperature and current increase) must always be assessed by qualified personnel. In case of doubt, turn off the motor immediately and contact the nearest WEG service center.

Do not use roller bearings for direct coupling. Motors fitted with roller bearings require radial load to ensure their proper operation.

For motors fitted with oil lubrication or oil mist systems, the cooling system must be ON even after the machine is OFF and until the machine is at complete standstill.

After complete standstill, the cooling and lubrication systems (if any exist) must be switched OFF and the space heaters must be switched ON.

5. MAINTENANCE



Before any service is performed, ensure that motor is at standstill, disconnected from the power supply and protected against accidental energization. Even when the motor is stopped, dangerous voltages may be present in space heater terminals.

If motors are fitted with capacitors, discharge them before any handling or service is performed. Motor disassembly during the warranty period must be performed by a WEG authorized service center only.

For motors with permanent magnet rotor (lines W22 Quattro and W22 Magnet), the motor assembly and disassembly require the use of proper devices due to the attracting or repelling forces that occur between metallic parts. This work must only be performed by a WEG Authorized service center specifically trained for such an operation. People with pacemakers cannot handle these motors.

The permanent magnets can also cause disturbances or damages to other electric equipment and components during maintenance.

For the W50 and HGF motor lines provided with axial fans, the motor and the axial fan have different markings for indicating the direction of rotation for prevent incorrect assembly. The axial fan must be assembled so that the indicative arrow for direction of rotation is always visible, viewing the non-drive end side. The marking indicated on the axial fan blade, CW for clockwise direction of rotation or CCW for counterclockwise direction of rotation, indicates the direction of rotation of the motor viewing the drive end side.

Regularly inspect the operation of the motor, according to its application, and ensure a free air flow. Inspect the seals, the fastening bolts, the bearings, the vibration and noise levels, the drain operation, etc. The lubrication interval is specified on the motor nameplate.

6. ADDITIONAL INFORMATION

For further information about shipment, storage, handling, installation, operation and maintenance of electric motors, access the website www.weg.net.

For special applications and operating conditions (for example, smoke extraction motors, totally enclosed air over (TEAO), motors for high thrust applications, motors with brake) refer to the applicable manual on the website www.weg.net or contact WEG.

When contacting WEG, please, have the full description of the motor at hand, as well as the serial number and manufacturing date, indicated on the motor nameplate.

7. WARRANTY TERM

WEG Equipamentos Elétricos S/A, Motors Business Unit ("WEG"), offers warranty against defects in workmanship and materials for its products for a period of 18 months from the invoice date issued by the factory or distributor/dealer, limited to 24 months from the date of manufacture.

Motors of the HGF Line are covered for a period of 12 months from the invoice date issued by the factory or distributor / dealer, limited to 18 months from the date of manufacture.

The paragraphs above contain the legal warranty periods.

If a warranty period is defined in a different way in the commercial/technical proposal of a particular sale, that will supersede the time limits set out above.

The warranty periods above are independent of the product installation date and the startup.

If any defect or abnormal occurrence is detected during machine operation, the customer must immediately notify WEG in writing about the occurred defect, and make the product available for WEG or its Authorized Service Center for the period required to identify the cause of the defect, check the warranty coverage, and perform the proper repairs.

In order for the warranty to be valid, the customer must be sure to follow the requirements of WEG's technical documents, especially those set out in the product Installation, Operation and Maintenance Manual, as well as the applicable standards and regulations in force in each country.

Defects arising from the inappropriate or negligent use, operation, and/or installation of the equipment, non-execution of regular preventive maintenance, as well as defects resulting from external factors or equipment and components not supplied by WEG, will not be covered by the warranty.

The warranty will not apply if the customer at its own discretion makes repairs and/or modifications to the equipment without prior written consent from WEG.

The warranty will not cover equipment, components, parts and materials whose lifetime is usually shorter than the warranty period. It will not cover defects and/or problems resulting from force majeure or other causes not imputable to WEG, such as, but not limited to: incorrect or incomplete specifications or data supplied by the customer; transportation, storage, handling, installation, operation and maintenance not complying with the provided instructions; accidents; defects in the construction works; use in applications and/or environments for which the machine was not designed; equipment and/or components not included in the scope of WEG supply. The warranty does not include disassembly services at the buyer's premises, product transportation costs and travel, lodging and meal expenses for the technical staff of the Service Centers, when requested by the customer.

The services under warranty will be provided exclusively at WEG authorized Service Centers or at one of its manufacturing plants. Under no circumstances will the warranty services extend the equipment warranty period.

WEG's Civil Liability is limited to the supplied product; WEG will not be liable for indirect or consequential damages, such as losses of profit and revenue losses and alike which may arise from the contract signed between the parties.

PORTUGUÊS

1. CONSIDERAÇÕES GERAIS



A instalação, operação e manutenção do motor devem ser realizadas sempre por pessoal capacitado, utilizando ferramentas e métodos adequados e seguindo as orientações contidas nos documentos fornecidos com o motor.

As instruções apresentadas neste documento são válidas para motores WEG com as seguintes características:

- Motores de indução trifásicos e monofásicos (com rotor de gaiola);
- Motores trifásicos de ímãs permanentes;
- Motores trifásicos híbridos (com rotor de gaiola + ímãs permanentes).

O objetivo deste manual é fornecer informações importantes que devem ser observadas durante o transporte, armazenagem, instalação, operação e manutenção dos motores WEG. Por esse motivo, recomendamos ler atentamente as instruções aqui contidas antes de fazer qualquer intervenção no motor. A não observação das instruções indicadas neste manual e demais referenciadas no site www.weg.net anula a garantia do produto e pode resultar em sérios danos pessoais e materiais.

Motores elétricos possuem circuitos energizados e componentes girantes expostos que podem causar danos às pessoas.

2. TRANSPORTE, ARMAZENAGEM E MANUSEIO

Verifique as condições do motor no recebimento. Caso forem constatados danos, isso deve ser registrado por escrito junto ao agente de transporte, e comunicado imediatamente à empresa seguradora e à WEG. Nesse caso, nenhum trabalho de instalação deve ser iniciado antes que o problema encontrado tenha sido solucionado. As informações contidas na placa de identificação devem corresponder às da nota fiscal do produto e às condições do ambiente de operação, onde o motor será instalado. Caso o motor não for instalado imediatamente, recomenda-se armazená-lo em local limpo, seco, livre de poeira, vibrações, gases e agentes corrosivos e com uma umidade relativa do ar não superior a 60%.

Para evitar a condensação de água no interior do motor durante o período de armazenagem, recomenda-se manter a resistência de aquecimento ligada (caso disponível). Para evitar oxidação dos rolamentos e assegurar uma distribuição uniforme do lubrificante, gire o eixo do motor manualmente pelo menos uma vez por mês (dando no mínimo 5 voltas) e deixe-o sempre numa posição diferente. Para rolamentos com sistema de lubrificação tipo oil mist, o motor deve ser armazenado na posição horizontal, independente de sua forma construtiva, com óleo ISO VG 68 no rolamento, com a quantidade indicada no manual disponível no site e o eixo deve ser girado manualmente uma vez por semana. Para motores com rolamento aberto armazenados por mais de seis meses, os rolamentos devem ser relubrificadas, com a quantidade de graxa indicada na placa de identificação, antes da entrada em operação. Caso os motores sejam armazenados por mais de 2 anos, recomenda-se trocar os rolamentos, ou então removê-los, lavá-los, inspecioná-los e relubrificá-los antes da sua colocação em funcionamento. Após este período de armazenagem também recomenda-se que os capacitores de partida de motores monofásicos sejam trocados devido a eventuais perdas das suas características operacionais.



Todo manuseio do motor deve ser realizado de maneira suave para evitar impactos e danos aos mancais e com o dispositivo de transporte/travamento do eixo (caso fornecido) sempre instalado.

Levante o motor sempre pelos olhais de içamento que foram projetados apenas para o peso do motor e que nunca devem ser usados para levantamento de cargas adicionais acopladas. Os olhais de içamento dos componentes, como caixa de ligação, tampa defletora, etc., devem ser utilizados apenas para manusear estas peças quando desmontadas. Para motores multimontagem (com pés removíveis), os olhais de içamento devem ser posicionados de acordo com a posição de montagem do motor para que o ângulo de içamento esteja alinhado verticalmente (içamento a 0°). Informações adicionais sobre os ângulos máximos de içamento estão indicados no manual geral disponível no site.

Meça periodicamente a resistência de isolamento do motor e antes de energizá-lo pela primeira vez. Verifique os valores recomendados e os procedimentos de medição no site.

3. INSTALAÇÃO



Durante a instalação, os motores devem estar protegidos contra partidas acidentais. Confira o sentido de rotação do motor ligando-o a vazio antes de acoplá-lo à carga.

Remova os dispositivos de transporte e de travamento do eixo (caso fornecidos) antes de iniciar a instalação do motor.

Motores só devem ser instalados em locais compatíveis com suas características construtivas e em aplicações e ambientes para os quais foram projetados.

Os motores com pés devem ser instalados sobre bases devidamente planejadas para evitar vibrações e assegurar um alinhamento perfeito. O eixo do motor deve ser adequadamente alinhado com o eixo da máquina acionada. Um alinhamento incorreto, bem como uma tensão inadequada das correias de acionamento, certamente danificarão os rolamentos, resultando em vibrações excessivas e até causando a ruptura do eixo. Devem ser respeitadas as cargas radiais e axiais admissíveis no eixo indicadas no manual geral no site. Sempre que possível, utilize acoplamentos flexíveis.

Nos motores com rolamentos com lubrificação a óleo ou sistema de lubrificação tipo oil mist, conecte os tubos de refrigeração e lubrificação (casos disponíveis).

Para mancais lubrificados a óleo, o nível do óleo deve permanecer na metade do visor.

Remova a graxa de proteção contra corrosão da ponta do eixo e do flange apenas imediatamente antes da instalação do motor.

A não ser que haja especificação ao contrário no pedido de compra, os motores WEG são balanceados dinamicamente com "meia chaveta" e em vazio (desacoplados). Os elementos de transmissão, como polias, acoplamentos, etc., devem ser adequadamente balanceados antes de serem instalados no eixo do motor.

Observar a correta posição de montagem dos drenos conforme indicado no manual no site.



Não cubra e obstrua a ventilação do motor. Mantenha uma distância mínima livre de ¼ (25%) do diâmetro da entrada de ar da defletora em relação à distância das paredes. O ar utilizado para refrigeração do motor deve estar na temperatura ambiente, limitada a temperatura indicada na placa de identificação do motor.

Para motores montados em ambientes descobertos ou montados na posição vertical, é necessário o uso de uma proteção adicional contra a entrada de líquidos e/ou partículas sólidas, por exemplo, uso de um chapéu.

Para evitar acidentes, certifique-se, antes de ligar o motor, que o aterramento foi realizado conforme as normas vigentes e que a chaveta esteja bem fixa.

Conecte o motor corretamente à rede elétrica através de contatos seguros e permanentes, observando sempre os dados informados na placa de identificação, como tensão nominal, esquema de ligação, etc.

Para a conexão do cabo de alimentação, sistema de aterramento, montagem da tampa da caixa de ligação e fixação do chapéu, devem ser respeitados os torques de aperto indicados na Tabela 3.1:

Tabela 3.1 - Torques de aperto para elementos de fixação [Nm]

Componente	M4	M5	M6	M8	M10	M12	M14	M16	M20	UNF 8x32	UNF 10x32	UNC 10x24
Pinos da placa de bornes	1 a 1,5	2 a 4 ¹⁾	4 a 6,5	6,5 a 9	10 a 18	15,5 a 30	-	30 a 50	50 a 75	1 a 2	-	-
Aterramento	1,5 a 3	3 a 5	5 a 10	10 a 18	28 a 40	45 a 70	-	115 a 170	-	-	-	2,5 a 3
Tampa da caixa de ligação	-	3 a 5	4 a 8	8 a 15	18 a 30	25 a 40	30 a 45	35 a 50	-	-	-	2,5 a 3
Fixação do chapéu em tampa defletora	1,5 a 2,3	3,5 a 5	6 a 9	14 a 20	-	-	-	-	-	-	1 a 1,5	-
Fixação do chapéu em tampa traseira	-	3,5 a 5	6 a 9	14 a 20	-	-	-	-	-	-	1,5 a 2	2,5 a 3

1) Para placa de bornes com 12 pinos, o torque de aperto permitido é: mínimo 1,5 Nm e máximo 2,5 Nm.



Tomar as medidas necessárias para assegurar o grau de proteção indicado na placa de identificação do motor:

- nas entradas de cabos não utilizadas de caixas de ligação, que devem ser devidamente fechadas com buíjes;
- nas entradas de cabos utilizadas para alimentação e controle do motor, que devem empregar componentes como, por exemplo, prensa-cabos e eletrodutos;
- nos componentes fornecidos em avulso (como, por exemplo, caixas de ligação montadas em separado);
- nos elementos de fixação montados nos furos roscados passantes no invólucro do motor (como, por exemplo, no flange).

O motor deve ser instalado com dispositivos de proteção contra sobrecarga. Para motores trifásicos recomenda-se também a instalação de sistemas de proteção contra falta de fase.

Caso o motor possua dispositivos para monitoramento de temperatura nos enrolamentos e/ou mancais, os mesmos devem estar ligados durante a operação e inclusive durante os testes.

Verifique o correto funcionamento dos acessórios (freio, encoder, proteção térmica, ventilação forçada, etc.) instalados no motor antes de colocá-lo em operação.



Motores equipados com protetores térmicos do tipo Automático religarão automaticamente assim que o motor esfriar. Portanto não emos usar motores com proteção térmica automática em aplicações onde o religamento automático pode tornar-se perigoso para pessoas e/ou para o equipamento.

Motores equipados com protetores térmicos do tipo Manual têm que ser religados manualmente após atuação. Caso o protetor térmico do tipo Automático ou do tipo Manual atuar, desconecte o motor da rede elétrica e verifique a causa da atuação.

Motores da linha W22 Magnet devem ser acionados somente por inversor de frequência WEG.

Para o uso de inversor de frequência é obrigatório seguir as instruções do manual do motor 50033244 e do guia técnico Motores de Indução Alimentados por Inversores de Frequência PWM 50029351 disponíveis no site www.weg.net e do manual do inversor de frequência.

4. OPERAÇÃO



Durante a operação, não toque nas partes não isoladas energizadas e nunca toque ou permaneça muito próximo de partes girantes.

Assegure que a resistência de aquecimento esteja desligada durante a operação do motor.

Os valores nominais de desempenho e as condições de funcionamento estão especificados na placa de identificação do motor. As variações da tensão e da frequência de alimentação nunca devem exceder os limites estabelecidos nas normas vigentes.

Possíveis desvios em relação à operação normal (atuação das proteções térmicas, aumento do nível de ruído, vibração, temperatura e corrente) devem ser avaliados por pessoal capacitado. Em caso de dúvidas desligar o motor imediatamente e contatar o assistente técnico autorizado WEG mais próximo.

Não é recomendada a utilização de rolamento de rolos para acoplamento direto entre o motor e a carga acionada. Motores equipados com rolamento de rolos necessitam de uma carga radial mínima para uma operação satisfatória.

Durante o desligamento da máquina, os sistemas de lubrificação dos mancais a óleo (ou oil mist) e de refrigeração têm que permanecer ligados até a parada total da máquina.

Após a parada do motor, os sistemas de refrigeração e de lubrificação (se houver) devem ser desligados e as resistências de aquecimento devem ser ligadas.

5. MANUTENÇÃO



Antes de iniciar qualquer serviço no motor, este tem que estar completamente parado, desconectado da rede de alimentação e protegido contra eventual religamento. Mesmo quando o motor estiver parado pode haver tensões nos terminais das resistências de aquecimento.

Em motores equipados com capacitores, descarregar os mesmos antes de manuseá-los ou executar qualquer serviço.

A desmontagem do motor durante o período de garantia somente deve ser realizada por assistente técnico autorizado WEG.

Para motores com rotor de ímãs permanentes (linhas W22 Quattro e W22 Magnet), a montagem e desmontagem do motor requerem a utilização de dispositivos adequados devido a forças de atração ou de repulsão que ocorrem entre peças metálicas. Este serviço somente deve ser realizado por Assistente Técnico Autorizado WEG com treinamento específico para tal operação.



Pessoas que utilizam marca-passo não podem manusear estes motores. Os ímãs permanentes também podem causar distúrbios ou danos em outros equipamentos elétricos e componentes durante a manutenção.

Para motores das linhas W50 e HGF, fornecidos com ventiladores axiais, o motor e o ventilador axial possuem indicações de sentido de rotação distintas, para prevenir uma montagem incorreta. O ventilador deve ser montado de tal modo que a seta indicativa do sentido de rotação esteja sempre visível, olhando do lado externo do motor (no lado não acionado). A marcação indicada na pá do ventilador, CW para sentido de rotação horário ou CCW para sentido de rotação anti-horário, indica o sentido de rotação do motor (olhando para o lado acionado).

Inspeção periodicamente o funcionamento do motor segundo a sua aplicação, assegurando um livre fluxo de ar. Inspeção as vedações, os parafusos de fixação, os mancais, o nível de vibração e de ruído, os drenos, etc. O intervalo de relubrificação é indicado na placa de identificação do motor.

6. INSTRUÇÕES ADICIONAIS

Para informações adicionais sobre transporte, armazenagem, manuseio, instalação, operação e manutenção de motores elétricos, acesse o site www.weg.net.

Para aplicações e condições especiais de operação (exemplo: *smoke extraction motor*, *totally enclosed air over* (TEAO), motores para altas cargas radiais e axiais, motores com freio) é necessário consultar o manual no site ou entrar em contato com a WEG.

Ao entrar em contato com a WEG, tenha em mãos a designação completa do motor, bem como seu número de série e data de fabricação indicados na placa de identificação do motor.

7. TERMO DE GARANTIA

A WEG Equipamentos Elétricos S/A, Unidade Motores ("WEG"), oferece garantia contra defeitos de fabricação e de materiais para seus produtos por um período de 18 meses, contados a partir da data de emissão da nota fiscal da fábrica ou do distribuidor/revendedor, limitado a 24 meses da data de fabricação.

Para os motores da linha HGF, a garantia oferecida é de 12 meses, contados a partir da data de emissão da nota fiscal da fábrica ou do distribuidor/revendedor, limitado a 18 meses a partir da data de fabricação.

Nos prazos de garantia acima estão contidos os prazos de garantia legal, não sendo cumulativos entre si. Caso um prazo de garantia diferenciado estiver definido na proposta técnico-comercial para determinado fornecimento, este prevalecerá sobre os prazos acima.

Os prazos estabelecidos acima independem da data de instalação do produto e de sua entrada em operação. Na ocorrência de um desvio em relação à operação normal do produto, o cliente deve comunicar imediatamente por escrito à WEG sobre os defeitos ocorridos, e disponibilizar o produto para a WEG ou seu Assistente Técnico Autorizado pelo prazo necessário para a identificação da causa do desvio, verificação da cobertura da garantia, e para o devido reparo.

Para ter direito à garantia, o cliente deve atender às especificações dos documentos técnicos da WEG, especialmente àquelas previstas no Manual de Instalação, Operação e Manutenção dos produtos, e às normas e regulamentações vigentes em cada país.

Não possuem cobertura da garantia os defeitos decorrentes de utilização, operação e/ou instalação inadequadas ou inapropriadas dos equipamentos, sua falta de manutenção preventiva, bem como defeitos decorrentes de fatores externos ou equipamentos e componentes não fornecidos pela WEG.

A garantia não se aplica se o cliente, por própria iniciativa, efetuar reparos e/ou modificações no equipamento sem prévio consentimento por escrito da WEG.

A garantia não cobre equipamentos, partes e/ou componentes, cuja vida útil for inferior ao período de garantia.

Não cobre, igualmente, defeitos e/ou problemas decorrentes de força maior ou outras causas que não podem ser atribuídas à WEG, como por exemplo, mas não limitado a: especificações ou dados incorretos ou incompletos por parte do cliente, transporte, armazenagem, manuseio, instalação, operação e manutenção em desacordo com as instruções fornecidas, acidentes, deficiências de obras civis, utilização em aplicações e/ou ambientes para os quais o produto não foi projetado, equipamentos e/ou componentes não incluídos no escopo de fornecimento da WEG. A garantia não inclui os serviços de desmontagem nas instalações do cliente, os custos de transporte do produto e as despesas de locomoção, hospedagem e alimentação do pessoal da Assistência Técnica, quando solicitados pelo cliente.

Os serviços em garantia serão prestados exclusivamente em oficinas de Assistência Técnica autorizadas pela WEG ou na sua própria fábrica. Em nenhuma hipótese, estes serviços em garantia prorrogarão os prazos de garantia do equipamento.

A responsabilidade civil da WEG está limitada ao produto fornecido, não se responsabilizando por danos indiretos ou emergentes, tais como lucros cessantes, perdas de receitas e afins, que porventura, decorrerem do contrato firmado entre as partes.

ESPAÑOL

1. INTRODUCCIÓN

La instalación, operación y mantenimiento del motor debe llevarse siempre a cabo por personal cualificado, utilizando herramientas y métodos adecuados, y siguiendo los procedimientos indicados en los documentos suministrados con el motor.

Las instrucciones suministradas en este documento son válidas para motores WEG con las siguientes características:

- Motores de inducción trifásicos y monofásicos (con rotor de jaula)
- Motores trifásicos de imanes permanentes
- Motores trifásicos híbridos (con rotor de jaula + imanes permanentes)

El objetivo de este manual es aportar informaciones importantes que deben ser seguidas durante el transporte, almacenamiento, instalación, funcionamiento y mantenimiento de los motores WEG. Por ese motivo, recomendamos leer atentamente las instrucciones antes de realizar cualquier intervención en el motor.

El incumplimiento de las instrucciones reflejadas en este manual, y demás instrucciones a las que se hace referencia en el sitio www.weg.net, ocasionará la anulación de la garantía del producto, y puede ocasionar serios daños personales y materiales.

Los motores eléctricos tienen circuitos bajo tensión, y componentes giratorios que pueden causar daños a las personas.

2. TRANSPORTE, ALMACENAMIENTO Y MANIPULACIÓN

Verifique la situación del motor al recibirlo. De encontrarse daños, estos deben ser informados por escrito a la agencia de transporte, y comunicarlos inmediatamente tanto a la empresa aseguradora como a WEG. En ese caso, no se debe iniciar ningún trabajo de instalación hasta que se haya solucionado el problema encontrado.

Los datos que aparecen en la placa de características, deben corresponder con los del pedido del producto y las condiciones ambientales de trabajo en el lugar donde el motor será instalado. En caso de que el motor no fuera instalado inmediatamente, se recomienda almacenarlo en lugar limpio y seco, libre de polvo, vibraciones, gases y agentes corrosivos, y con una humedad relativa del aire no superior al 60%.

Para evitar la condensación de agua en el interior del motor durante el período de almacenamiento, se recomienda mantener la resistencia de caldeo encendida (de estar incluida). Para evitar la oxidación de los rodamientos y asegurar una distribución uniforme del lubricante, gire el eje del motor por lo menos una vez por mes (dando, como mínimo, 5 vueltas) y dejándolo siempre en una posición diferente. Para rodamientos con sistema de lubricación tipo "oil mist", el motor debe estar ubicado en posición horizontal, independientemente de su forma constructiva, con aceite ISO VG 68 en el rodamiento, con la cantidad indicada en el manual disponible en la página web, y el eje debe girarse semanalmente. Para motores con rodamiento abierto almacenamientos por más de seis meses, los rodamientos deben ser relubricados, conforme la cantidad de grasa especificada en la placa de identificación, antes de la entrada en operación. En caso de que los motores queden almacenados por un periodo superior a 2 años, se recomienda cambiar los rodamientos, o como alternativa, desmontarlos, lavarlos, revisarlos y lubricarlos nuevamente antes de hacer trabajar el motor. Tras este periodo de almacenamiento también se recomienda que los condensadores de arranque de motores monofásicos sean cambiados debido a posibles pérdidas de sus características de trabajo.



Toda manipulación del motor debe ser realizada con cuidado para evitar impactos y daños a los cojinetes, y con el dispositivo de transporte/bloqueo del eje (de ser suministrado) siempre instalado. Levante el motor siempre por los elementos de elevación, los cuales han sido diseñados para el peso del motor, y nunca deben utilizarse para levantar cargas adicionales acopladas. Los elementos de elevación de los componentes, como la caja de bornes, la tapa deflectora, etc., deben utilizarse solo para manipular estas piezas cuando estén desmontadas. Para motores multimontaje (con pies removibles), los elementos de elevación deben ser posicionados de acuerdo con la posición de montaje del motor de manera que el ángulo de elevación está alineado verticalmente (elevación a 0°). En el manual general disponible en la página web, se podrá encontrar información adicional sobre los ángulos máximos de elevación.

Mida periódicamente la resistencia de aislamiento del motor y sobre todo, antes de la primera puesta en marcha. Verifique los valores recomendados y los procedimientos de medición en la página web.

3. INSTALACIÓN



Durante la instalación, los motores deben estar protegidos contra puestas en marcha accidentales. Verifique el sentido de rotación del motor, haciéndolo funcionar en vacío antes de acoplarlo a la carga.

Elimine los dispositivos de transporte y de bloqueo del eje (en caso que existan) antes de iniciar la instalación del motor.

Los motores solo deben estar instalados en lugares compatibles con sus características constructivas y en las aplicaciones y ambientes para los cuales fueron proyectados.

Los motores con patas deben estar ubicados sobre bases debidamente proyectadas para evitar vibraciones y asegurar un perfecto alineamiento. El eje del motor debe estar adecuadamente alineado con el eje de la máquina accionada. Un alineamiento incorrecto, así como una tensión inadecuada de las correas de accionamiento, seguramente dañarán los rodamientos, resultando en excesivas vibraciones e incluso causar la ruptura del eje.

Se deben respetar las cargas radiales y axiales admisibles en el eje, las cuales se indican en el manual general disponible en la página web. Se recomienda el uso de acoplamientos flexibles.

En los motores con rodamientos cuya lubricación sea a base de aceite o un sistema de lubricación tipo "oil mist", conecte los tubos de refrigeración y lubricación (caso de estar disponibles).

Para cojinetes con lubricación a aceite, el nivel de aceite debe permanecer en la mitad del visor de nivel.

Elimine la grasa de protección contra corrosión de la punta del eje y de la brida únicamente justo antes de la instalación del motor.

A no ser que se especifique lo contrario en el pedido de compra, los motores WEG se equilibran dinámicamente con "media chaveta" y en vacío (desacoplados). Los elementos de transmisión, como poleas, acoplamientos, etc., deben equilibrarse antes de ser instalados en el eje del motor.

Observe la correcta posición de montaje de los drenajes conforme lo indicado en el manual.



No cubra u obstruya la ventilación del motor. Mantenga una distancia libre mínimo de ¼ (25%) del diámetro de la entrada de aire de la deflectora en relación a la distancia de las paredes. El aire utilizado para la refrigeración del motor debe estar a temperatura ambiente, limitada a la temperatura indicada en la placa de características del motor.

Para motores instalados a la intemperie o montados en la posición vertical, se necesitará utilizar una protección adicional contra la entrada de líquidos y/o partículas sólidas, por ejemplo, el uso de un sombrerete.

Para evitar accidentes, con anterioridad al arranque del motor, se ha de asegurar que la puesta a tierra fue realizada conforme a las normas vigentes y que la conexión esté bien apretada.

Conecte el motor correctamente a la red eléctrica a través de contactos seguros y permanentes, siguiendo siempre los datos mostrados en la placa de características, como la tensión nominal, el esquema de conexionado, etc.

Para la conexión del cable de alimentación, sistema de puesta a tierra, montaje de la tapa de la caja de conexión y fijación de lo sombrerete deben ser respetados los pares de apriete indicados en la Tabla 3.1.

Tabla 3.1 - Pares de apriete para elementos de fijación [Nm]

Componente	M4	M5	M6	M8	M10	M12	M14	M16	M20	UNF 8x32	UNF 10x32	UNC 10x24
Pinos de la placa de bornes	1 a 1,5	2 a 4 ¹⁾	4 a 6,5	6,5 a 9	10 a 18	15,5 a 30	-	30 a 50	50 a 75	1 a 2	-	-
Puesta a tierra	1,5 a 3	3 a 5	5 a 10	10 a 18	28 a 40	45 a 70	-	115 a 170	-	-	-	2,5 a 3
Tapa de la caja de conexión	-	3 a 5	4 a 8	8 a 15	18 a 30	25 a 40	30 a 45	35 a 50	-	-	-	2,5 a 3
Fijación de Sombrerete en la tapa deflector	1,5 a 2,3	3,5 a 5	6 a 9	14 a 20	-	-	-	-	-	-	1 a 1,5	-
Fijación de Sombrerete en la tapa trasera	-	3,5 a 5	6 a 9	14 a 20	-	-	-	-	-	-	1,5 a 2	2,5 a 3

1) Para la placa de bornes de 12 pines, el par de apriete permitido es: mínimo 1,5 Nm y máximo 2,5 Nm.

Para el dimensionamiento de los cables de alimentación y de los dispositivos de maniobra y protección se debe considerar la corriente nominal del motor, el factor de servicio, la longitud de los cables, entre otros.

Para motores sin placa de bornes, aisle los terminales del motor, utilizando materiales aislantes compatibles con la clase de aislamiento informada en la placa de características.

La distancia mínima de aislamiento entre partes vivas no aisladas entre sí y entre partes vivas y la tierra debe respetar las normas y reglamentaciones vigentes en cada país.



Tomar las medidas necesarias para asegurar el grado de protección indicado en la placa de identificación del motor:

- En las entradas de cables no utilizadas de la caja de conexiones, las cuales deben ser debidamente cerradas con tapón;
- En las entradas de cables utilizadas para alimentación y control de lo motor las cuales deben emplear componentes como, por ejemplo, prensas y pasacables;
- En componentes suministrados de forma independiente (por ejemplo cajas de conexiones montadas por separado);
- En los elementos de fijación montados en agujeros roscados pasantes del involucro del motor (por ejemplo, en la brida).

El motor debe ser protegido con dispositivos de protección contra sobrecarga. Para motores trifásicos se recomienda también la instalación de sistemas de protección contra fallo de fase. En caso de que el motor posea dispositivos para control de temperatura en el devanado y/o cojinetes, los mismos deben estar conectados durante el funcionamiento, e inclusive, durante las pruebas.

Verifique el correcto funcionamiento de los accesorios (freno, encoder, protección térmica, ventilación forzada, etc.) instalados en el motor antes del arranque.



Los motores equipados con protectores térmicos del tipo Automático se reconectarán automáticamente cuando se alcance la temperatura adecuada para el motor. No utilizar motores con protección térmica del tipo automática en aplicaciones en donde el re-arranque automático pueda ser peligroso para personas o para el equipamiento.

Los motores equipados con protectores térmicos del tipo Manual, tienen que ser reconectados después del disparo.

En caso de que se active la protección térmica del tipo Automático o Manual, desconecte el motor de la red eléctrica y verifique la causa que provocó la actuación del protector térmico.

Los motores de la línea W22 Magnet deben ser accionados solamente por convertidores de frecuencia WEG.

Para más información sobre el uso del convertidor de frecuencia es obligatorio seguir las instrucciones del manual 50033244 del motor y de la guía técnica 50029350 en www.weg.net y del manual del convertidor de frecuencia.

4. FUNCIONAMIENTO



Durante el funcionamiento, no toque las zonas con riesgo de contacto eléctrico, y nunca toque o permanezca muy cerca de partes giratorias.

Asegúrese de que la resistencia de caldeo esté desconectada durante el funcionamiento del motor.

Los valores nominales de trabajo y las condiciones de funcionamiento están especificados en la placa de características del motor. Las variaciones de la tensión y la frecuencia de alimentación nunca deben exceder los límites establecidos en las normas vigentes.

Posibles desvíos en relación al normal funcionamiento (actuación de las protecciones térmicas, aumento de los niveles de ruido y vibración, temperatura y corriente) deben ser evaluados por personal cualificado. En caso de dudas, desconecte el motor inmediatamente, y entre en contacto con el servicio técnico autorizado WEG más próximo.

No se recomienda la utilización de rodamiento de cilindros para acoplamiento directo. Los motores equipados con estos rodamientos necesitan una carga radial mínima para garantizar su correcto funcionamiento.

Los sistemas de lubricación de los cojinetes de aceite u "oil mist" y de refrigeración tienen que permanecer conectados incluso tras el corte de alimentación, y hasta la parada total de la máquina.

Tras la parada del motor, los sistemas de refrigeración y de lubricación (de existir) deben desconectarse y se deben conectar las resistencias de caldeo.

5. MANTENIMIENTO



Antes de iniciar cualquier tipo de servicio en el motor, éste debe estar completamente parado, desconectado de la red de alimentación y protegido contra una posible reconexión. Aunque el motor estuviese parado, puede haber tensión en los terminales de las resistencias de caldeo.

En motores equipados con condensadores, descárguelos antes de manipularlos o realizar algún servicio.

El desmontaje del motor durante el período de garantía solamente debe ser realizado por un servicio técnico autorizado WEG.

En el caso de motores con rotor de imanes permanentes (líneas W22 Quattro y W22 Magnet), el montaje y desmontaje del motor requiere de la utilización de dispositivos adecuados debido a las fuerzas de atracción o de repulsión entre piezas metálicas. Este servicio solamente debe llevarse a cabo por un Servicio Técnico Autorizado WEG con formación específica para dicha operación. Las personas que utilicen marcapasos no pueden manipular estos motores. Los imanes permanentes también pueden causar perturbaciones o daños en otros equipamientos eléctricos y componentes durante el mantenimiento.

En los motores de las líneas W50 y HGF, suministrados con ventiladores axiales, el motor y el ventilador axial tienen indicación de sentido de rotación distintas, para prevenir un montaje erróneo. El ventilador debe ser montado de tal forma que la flecha indicativa del sentido de rotación este siempre visible, cuando observadas desde el lado externo del motor (en el lado no accionado). La marca indicada en las aspas del ventilador, CW para sentido de rotación horario o CCW para sentido de rotación anti-horario, indica el sentido de rotación del motor.

Inspeccione periódicamente el funcionamiento del motor según su aplicación, asegurándose de que el aire fluya libremente.

Inspeccione los sellos, los tornillos de fijación, los cojinetes, los niveles de vibración y ruido, los drenajes, etc.

El intervalo de lubricación está especificado en la placa de identificación del motor.

6. INSTRUCCIONES ADICIONALES

Para informaciones adicionales sobre transporte, almacenaje, manipulación, instalación, funcionamiento y mantenimiento de motores eléctricos, entre en www.weg.net.

Para aplicaciones y condiciones especiales de trabajo (ejemplo: motores de extracción de humos, *totally enclosed air over* (TEAO), motores para altas cargas radiales y axiales, motores con freno) se debe consultar el manual o entrar en contacto con WEG. Al entrar en contacto con WEG, tenga a mano la denominación completa del motor, así como también su número de serie y fecha de fabricación indicados en la placa de características del mismo.

7. TERMINO DE GARANTIA

WEG Equipamentos Eléctricos S/A, Unidad Motores ("WEG"), ofrece garantía contra defectos de fabricación o de materiales para sus productos por un período de 18 meses, contados a partir de la fecha de emisión de la factura de fábrica, o del distribuidor/revendedor, limitado a 24 meses de la fecha de fabricación.

Para motores de la línea HGF, la garantía ofrecida es de 12 meses, contados a partir de la fecha de emisión de la factura de fábrica, o del distribuidor/revendedor, limitado a 18 meses a partir de la fecha de fabricación.

El párrafo anterior cuenta con los plazos de garantía legal, no siendo acumulativos entre sí.

En caso de que un plazo de garantía diferenciado esté definido en la propuesta técnica comercial para un determinado suministro, éste prevalecerá por sobre los plazos definidos anteriormente. Los plazos establecidos anteriormente no dependen de la fecha de instalación del producto ni de su puesta en operación. Ante un desvío en relación a la operación normal del producto, el cliente debe comunicar inmediatamente por escrito a WEG sobre los defectos ocurridos, y poner a disposición el producto para WEG o su Asistente Técnico Autorizado por el plazo necesario para la identificación de la causa del desvío, verificación de la cobertura de garantía, y para su debida reparación. Para tener derecho a la garantía, el cliente debe cumplir las especificaciones de los documentos técnicos de WEG, especialmente aquellas previstas en el Manual de Instalación, Operación y Mantenimiento de los productos, y las normas y regulaciones vigentes en cada país. No poseen cobertura de garantía los defectos derivados de utilización, operación y/o instalación inadecuadas o inapropiadas de los equipos,

su falta de mantenimiento preventivo, así como defectos derivados de factores externos o equipos y componentes no suministrados por WEG. La garantía no se aplica si el cliente, por iniciativa propia, efectúa reparaciones y/o modificaciones en el equipo sin previo consentimiento por escrito de WEG. La garantía no cubre equipos, partes y/o componentes, cuya vida útil sea inferior al período de garantía. No cubre, igualmente, defectos y/o problemas derivados de fuerza mayor u otras causas que no puedan ser atribuidas a WEG, como por ejemplo, pero no limitado a: especificaciones o datos incorrectos o incompletos por parte del cliente, transporte, almacenamiento, manipulación, instalación, operación y mantenimiento en desacuerdo con las instrucciones suministradas, accidentes, deficiencias de obras civiles, utilización en aplicaciones y/o ambientes para los cuales el producto no fue proyectado, equipos y/o componentes no incluidos en el alcance de suministro de WEG. La garantía no incluye los servicios de desmantelamiento en las instalaciones del cliente, los costos de transporte del producto, los costos de locomoción, hospedaje y alimentación del personal de Asistencia Técnica, cuando sean solicitados por el cliente. Los servicios en garantía serán prestados exclusivamente en talleres de Asistencia Técnica autorizadas por WEG o en su propia fábrica. Bajo ninguna hipótesis, estos servicios en garantía prorrogarán los plazos de garantía del equipo. La responsabilidad civil de WEG está limitada al producto suministrado, no responsabilizándose por daños indirectos o emergentes, tales como lucros cesantes, pérdidas de ingresos y similares que deriven del contrato firmado entre las partes.

DEUTSCH

1. EINLEITUNG

Es wird vorausgesetzt, dass die Arbeiten zur Montage, Betrieb und Wartung an diesen Maschinen nur von qualifiziertem Personal, mit dem Einsatz von geeigneten Werkzeugen und Methoden unter Beachtung der Anweisungen, die in den mitgelieferten Motor- Dokumenten enthalten sind, ausgeführt werden.

Die hier enthaltenen Anweisungen sind für WEG- Motoren mit folgenden Eigenschaften gültig:

- Drehstrom-Asynchronmaschinen und einphasige Asynchronmaschinen (mit Kurzschlussläufern);
- Permanentmagneterregte Synchronmaschinen;
- Hybrid-Synchronmaschinen (mit Kurzschlussläufern + Permanentmagneten).

Diese Betriebsanleitung gibt wichtige Hinweise, die bei Transport, Lagerung, Montage, Betrieb und Wartung der WEG-Motoren beachtet werden müssen. Er wird empfohlen diese Betriebsanleitung sorgfältig zu lesen bevor Arbeiten an dieser Maschine vorgenommen werden.

Die Nichtbeachtung der Anweisungen in dieser Betriebsanleitung und auf der Internetseite www.weg.net hebt die Produktgewährleistung auf und kann zu Personen- und Sachschäden führen.

Elektrische Motoren haben spannungsführende Stromkreise, ggf. auch bewegte bzw. rotierende nicht abgedeckte Teile, die schwerste Verletzungen und gesundheitliche Schäden verursachen können.

2. TRANSPORT, LAGERUNG UND HANDHABUNG

Unmittelbar nach dem Empfang des Motors ist dieser auf äußerliche Transportschäden zu untersuchen. Werden Beschädigungen festgestellt, sind diese dem Transportunternehmen, der Versicherungsgesellschaft und WEG sofort schriftlich zu melden. In diesem Fall muss das festgestellte Problem zuerst gelöst werden, bevor irgendeine Montagearbeit vorgenommen werden kann. Die auf dem Leistungsschild eingetragenen Angaben müssen den Angaben der Rechnung, sowie den Betriebs- und Umgebungsbedingungen entsprechen.

Wird der Motor nicht sofort in Betrieb genommen, muss er in einem sauberen, trockenen, staub-, gas- und schwingungsfreien Ort, ohne Vorhandensein von aggressiven Chemikalien und bei einer relativen Luftfeuchtigkeit unter 60 % gelagert werden. Um die Bildung von Kondenswasser im Inneren des Motors während der Lagerung zu vermeiden, soll die Stillstandsheizung (wenn vorhanden) immer eingeschaltet sein.

Um eine Oxidation der Wälzlager während der Lagerungszeit zu vermeiden und wieder eine gleichmäßige Fettverteilung zu erlangen, soll der Läufer mindestens einmal pro Monat etwas von Hand gedreht werden (mind. 5 Umdrehungen) und immer in einer anderen Position zum Stillstand kommen. Bei Wälzlagern mit Schmierölnebel (oil mist), soll der Motor immer, unabhängig der Bauform, in horizontaler Lage mit Öl ISO VG 68 in der Menge wie in der Bedienungsanleitung und auf der Webseite angegeben, gelagert werden und die Welle muss einmal pro Woche etwas von Hand gedreht werden. Wird der Motor mit nachschmierbaren Wälzlagern länger als 6 Monate gelagert, müssen die Lager, mit der auf dem Leistungsschild angegebenen Fettmenge vor Inbetriebnahme, wieder neu gefettet werden.

Wird der Motor etwa 2 Jahre oder länger gelagert, müssen die Wälzlager vor der Inbetriebnahme ausgebaut und

mit Waschbenzin gründlich gewaschen, überprüft, getrocknet und nach dem sachgemäßen Einbau wieder neu gefettet werden, bevor eine Inbetriebnahme vorgenommen werden darf.

Werden Einphasenmotoren länger als zwei Jahre gelagert, müssen die Anlasskondensatoren vor der Inbetriebnahme gewechselt werden, da sie nach längerer Lagerungszeit ihre Betriebseigenschaften verlieren können.



Um Lagerschäden während des Transportes zu verhindern, muss der Motor immer sanft gehoben und abgesetzt werden und die Welle muss immer mit der mitgelieferten Transportsicherungsrichtung (wenn vorhanden) festgestellt werden. Der Motor darf nur an den hierfür vorgesehenen Transportösen, die ausschließlich für das Motorgewicht ausgelegt wurden, gehoben werden. Sie dürfen nicht zum Heben nach dem Zusammenbau von Motor + angetriebener Maschine verwendet werden. Die Transportösen an Bauteilen, wie am Klemmenkästen, Lüfterhaube, usw. dienen ausschließlich zum Heben dieser Bauteile. Für Multimontagemotoren (mit entfernbaren Füßen), müssen die Transportösen unter Berücksichtigung der Montageposition des Motors eingeschraubt werden, so dass der Hebewinkel immer vertikal ausgerichtet ist (Hebewinkel = 0°). Informationen über die zugelassenen Hebe-winkel können Sie in der Betriebsanleitung auf der Webseite finden.

Während der Lagerungszeit, muss der Isolationswiderstand der Wicklungen in bestimmten Zeitabständen und in jedem Fall vor der Inbetriebnahme gemessen werden.

3. MONTAGE



Während der Montage müssen die Motoren gegen versehentliches Einschalten geschützt sein. (Freischaltung des Netzes). Die Drehrichtung des Motors ist im Leerlauf vor der Ankopplung mit der Belastungsmaschine zu überprüfen.

Transportsicherung und Läuferfeststellvorrichtung (wenn vorhanden) müssen vor der Motorinstallation entfernt werden.

Elektrische Motoren dürfen nur in Umgebungen eingesetzt werden, für die sie entwickelt wurden und für die ihre Baueigenschaften geeignet sind.

Um eine genaues Ausrichten und einen schwingungsfreien Betrieb zu gewährleisten, müssen Motoren mit Füßen immer auf geeigneten Fundamenten aufgestellt werden.

Die Motorwelle und die Welle der angetriebenen Maschine müssen genau gegeneinander ausgerichtet sein.

Ein nicht genaues Ausrichten oder eine zu hohe Riemenspannung mit der Belastungsmaschine können zu Lagerschäden, übermäßigen Schwingungen und letztendlich sogar zu einem Wellenbruch führen.

Es müssen immer die zugelassenen radialen und axialen Belastungen der Welle beachtet werden, die der Betriebsanleitung auf der Webseite entnommen werden können.

Immer wenn möglich, flexible Kupplungen verwenden.

Bei Motoren mit ölgeschmierten Lagern oder Lager mit Schmierölnebel, müssen die Kühl- und Schmierölröhre (wenn vorhanden) angeschlossen sein.

Für ölgeschmierten Lagern, muss sich der Ölstand auf halber Sichtglashöhe befinden.

Den Korrosionsschutz am Wellenende und an dem Flansch nur kurz vor der Aufstellung des Motors entfernen.

Falls nicht anders, als im Auftrag vereinbart, werden WEG- Motoren immer mit halber Passfeder dynamisch abgekuppelt ausgewuchtet, geliefert. Auch die Übertragungselemente, wie Riemenscheiben, Kupplungen, usw. müssen vor dem Anbau an die Motorwelle entsprechend ausgewuchtet werden.

Die Position der Wasserablassstopfen ist gemäß der Betriebsanleitung auf der Webseite zu beachten.



Die Luftein- und Luftauslässe dürfen nicht abgedeckt oder verstopft sein. Der empfohlene Einbauabstand zwischen der Lufteintrittsöffnung des Motors und einer Wand muss wenigstens $\frac{1}{4}$ des Durchmessers der Lufteintrittsöffnung betragen. Die Temperatur der angesaugten Kühlluft muss gleich der Umgebungstemperatur sein und darf niemals die auf dem Leistungsschild angegebene Grenztemperatur überschreiten.

Werden Motoren im Freien oder in vertikaler Position aufgestellt, ist ein zusätzlicher Schutz vorzusehen, um das Eindringen von Flüssigkeiten oder Feststoffen in das Innere des Motors zu verhindern, z. B. mit einem Schutzdach.

Um Unfälle zu vermeiden, muss vor dem Einschalten des Motors sicherstellt werden, dass die Erdung nach den einschlägigen Normen vorgenommen wurde. Außerdem muss die Passfeder in der Antriebswelle fest in der Passfedernut sitzen.

Es muss sichergestellt werden, dass der Motor unter Berücksichtigung der Daten auf dem



Leistungsschild und dem Schaltbild an die richtige Netzspannung, sowie in Abhängigkeit des Bemessungsstromes auf dem Leistungsschild ein angepasster Motorstarter mit einer Überlastschutzeinrichtung, der alle drei Außenleiter überwacht, angeschlossen wird.

Die Anzugsdrehmomente der Befestigungsschrauben von den Versorgungs - und Erdungskabeln sowie des Klemmenkastendeckels und des Schutzdachs sind der Tabelle 3.1 zu entnehmen.

Tabelle 3.1 - Anzugsdrehmomente der Befestigungsschrauben [Nm]

Bauteil	M4	M5	M6	M8	M10	M12	M14	M16	M20	UNF 8x32	UNF 10x32	UNC 10x24
Klemmenbrett	1,0 bis 1,5	2,0 bis 4,0 ¹⁾	4,0 bis 6,5	6,5 bis 9,0	10,0 bis 18,0	15,5 bis 30	-	30 bis 50	50 bis 75	1,0 bis 2,0	-	-
Erdungsklemmschraube	1,5 bis 3,0	3,0 bis 5,0	5,0 bis 10,0	10,0 bis 18,0	28,0 bis 40,0	45,0 bis 70,0	-	115 bis 170	-	-	-	2,5 bis 3,0
Klemmenkastendeckel	-	3,0 bis 5,0	4,0 bis 8,0	8,0 bis 15,0	18,0 bis 30,0	25,0 bis 40,0	30 bis 45	35,0 bis 50,0	-	-	-	2,5 bis 3,0
Schutzdach in der Lüfterhaube montiert	1,5 bis 2,3	3,5 bis 5,0	6,0 bis 9,0	14,0 bis 20,0	-	-	-	-	-	-	1,0 bis 1,5	-
Schutzdach in dem Lagerschild (Nichtantriebsseite NDE) montiert	-	3,5 bis 5,0	6,0 bis 9,0	14,0 bis 20,0	-	-	-	-	-	-	1,5 bis 2,0	2,5 bis 3,0

1) Bei 12-poligem Klemmenbrett ist der zulässige Anzugsdrehmoment zulässig: mindestens 1,5 Nm und maximal 2,5 Nm.

Zur Bemessung der Versorgungskabel und der Steuer- und Schutzvorrichtungen muss der Bemessungsstrom des Motors, der Belastungsfaktor und die Kabellänge u.a., berücksichtigt werden. Bei Motoren ohne Klemmenbrett, müssen die Kabelklemmen des Motors mit einem geeigneten Isolierband unter Berücksichtigung der auf dem Leistungsschild angegebenen Wärmeklasse isoliert werden. Der Mindestabstand zwischen nicht isolierten spannungsführenden Bauteilen und Erde muss nach den Normen und Richtlinien des entsprechenden Landes erfüllen.



Die erforderlichen Sicherheitsmaßnahmen treffen, um den auf dem Leistungsschild des Motors geforderten Schutzgrad sicherzustellen:

- Nicht benutzte Bohrungen zur Einführung von Kabeln in Klemmenkästen müssen mit entsprechenden Stopfen verschlossen sein.
- Die Kabeleingänge für die Stromversorgung und Steuerung müssen mit Bauteilen (z. B. Kabelverschraubungen und Kabelrohre) hergestellt werden.
- Separat gelieferten Bauteilen (z.B., Klemmenkästen, die getrennt vom Motor eingebaut werden) müssen mit entsprechenden Stopfen verschlossen und mit geeigneten Dichtungen versehen sein.
- Durchgangsbohrungen mit Gewinde in Befestigungsbauteilen des Motorgehäuses (z.B. Flansch) müssen mit entsprechenden Dichtungen verschlossen sein.

Der Motor muss mit einer Schutzvorrichtung gegen Überlast installiert werden. Bei Drehstrommotoren ist auch der Einsatz von Überstromauslösegeräten mit integriertem Phasenausfall empfohlen.

Ist der Motor mit Vorrichtungen zur Temperaturüberwachung in den Wicklungen und/oder Lagern ausgestattet, müssen diese immer während des Betriebes und auch während der Prüfungen eingeschaltet sein.

Die Funktionstüchtigkeit des schon im Motor eingebauten Zubehörs (Bremsen, Encoder, Wärmeschutzvorrichtung, Fremdbelüftung, usw.) ist vor der Inbetriebnahme zu überprüfen.



Motoren mit automatischen thermischen Schutzvorrichtungen gegen Übertemperatur schalten automatisch nach Motorabkühlung wieder ein. Deshalb sollen Motoren mit automatischen thermischen Schutzvorrichtungen nicht eingesetzt werden, wo das automatische Wiedereinschalten des Motors schwere Personen- und Sachschäden zur Folge haben kann.

Folge haben kann.



Sind Motoren mit von Hand betätigten thermischen Schutzvorrichtungen gegen Übertemperatur ausgestattet, muss das Wiedereinschalten des Motors von Hand vorgenommen werden.

Schaltet die automatisch thermische oder die von Hand betätigte Schutzvorrichtung den Motor ab, muss er von dem Netz freigeschaltet werden, die Ursache für den Ausfall gefunden und der Fehler vor einer erneuten Inbetriebnahme behoben werden.

Motoren der Reihe W22 Magnet dürfen nur über WEG-Frequenzumrichter betrieben werden.

Für den Einsatz von Frequenzumrichtern müssen die Anweisungen der Betriebsanleitung auf der Webseite www.weg.net und die Betriebsanleitung des Frequenzumrichters berücksichtigt werden.

4. BETRIEB



Während des Betriebes niemals blanke spannungsführende Teile berühren und einen sicheren Abstand von rotierenden Teilen einhalten.

Es muss sichergestellt werden, dass die Stillstandsheizung während des Motorbetriebes immer abgeschaltet ist.

Die Leistungsnennwerte und die Betriebsbedingungen sind auf dem Leistungsschild angegeben. Die Spannungs- und Frequenzschwankungen dürfen niemals die in der Norm festgelegten Grenzwerte über- oder unterschreiten.

Bei Abweichungen von dem Normalbetrieb, z.B. (Auslösung der thermischen Schutzvorrichtungen, Veränderungen des Geräusch- und Schwingungspegels oder ein Temperaturanstieg) müssen von qualifiziertem Personal untersucht und die Fehler behoben werden, bevor eine Wiederinbetriebnahme gestartet werden kann. Treten bei der Ausführung dieser Arbeiten Zweifel auf, ist der Motor sofort auszuschalten und die nächstliegende zugelassene WEG-Kundendienststelle anzusprechen.

Ist der Motor auf der Antriebsseite mit einem Zylinderrollenlager ausgestattet, ist von einer direkten Kopplung zwischen Motor und Belastungsmaschine abzuraten. Motoren mit Zylinderrollenlagern brauchen eine radiale Mindestlast um einen ordnungsgemäßen Betrieb zu gewährleisten.

Während des Abschaltverfahrens der Maschine, müssen das Kühlsystem und das Lagerschmiersystem bis zum kompletten Stillstand der Maschine eingeschaltet bleiben.

Nach Erreichen des Stillstandes der Maschine muss das Kühl- und das Druckölschmiersystem (wenn vorhanden) abgeschaltet und die Stillstandsheizung eingeschaltet werden.

5. WARTUNG



Bevor irgendeine Wartungsarbeit vorgenommen wird, muss der Motor komplett stillstehen, vom Versorgungsnetz getrennt und gegen ein versehentliches Einschalten gesichert sein.

Auch nach dem Ausschalten des Motors, können an den Klemmen der Stillstandsheizung gefährliche Spannungen anliegen.

Ist der Motor mit Kondensatoren ausgestattet, wird empfohlen einige Minuten zu warten, um eine komplette Entladung der Kondensatoren zu gewährleisten, bevor irgendwelche Arbeiten an dem Motor vorgenommen werden.

Die Demontage des Motors während der Gewährleistungsfrist darf nur von zugelassenen WEG-Kundendienststellen vorgenommen werden.

Bei Motoren mit Dauermagneten, wie z.B. mit Seltenerd-Materialien, welche sich durch eine hohe Koerzitivkraft auszeichnen (Reihe W22 Quattro und W22 Magnet), darf die Demontage und Montage wegen der hohen Attraktions- und Repulsionskräfte nur mit geeigneten Vorrichtungen vorgenommen werden. Diese Arbeiten dürfen nur von zugelassenen WEG-Kundendienststellen und speziell geschultem Fachservicepersonal durchgeführt werden.

Personen mit Herzschrittmachern dürfen nicht in die unmittelbare Nähe mit diesen Magneten kommen. Die Dauermagnete können auch Störungseinflüsse auf andere elektrische Geräte und Bauteile ausüben.

Bei Motoren der Reihe W50 und HGF, die mit Axiallüftern ausgerüstet sind, ist der Motor und der Axiallüfter mit unterschiedlichen Markierungen zur Anzeige der Drehrichtung, versehen, um so fehlerhafte Montage zu vermeiden. Der Axiallüfter muss so montiert werden, dass der Pfeil zur Angabe der Drehrichtung immer sichtbar ist, wenn man auf das Wellenende der Nichtantriebsseite schaut. Die Markierung am Axiallüfterflügel, CW für Uhrzeigerdrehinn oder CCW für Gegenuhrzeigerdrehinn, gibt den Drehsinn des Motors wieder.

Den Motor in regelmäßigen Zeitabständen hinsichtlich seines Einsatzes überprüfen. Außerdem sind die Dichtungen, die Befestigungsschrauben, die Wasserablasstopfen, sowie die Lager auf Schwingungen und Geräusche, zu überprüfen. Die Nachschmierfristen sind auf den Leistungsschild des Motors zu entnehmen.

6. ZUSÄTZLICHE HINWEISE

Für weitere Informationen über Transport, Lagerung, Handhabung, Installation, Betrieb und Wartung der Elektromotoren, steht Ihnen die Webseite www.weg.net zur Verfügung.

Auch für Motoren mit Sonderanwendungen oder erschwerten Betriebsbedingungen (z.B.: Brandgasmotoren, Schachtlüftermotoren, Motoren mit hohen axialen und radialen Belastungen, Bremsmotoren), gibt Ihnen Auskunft die entsprechende Betriebsanleitung, oder auf der Webseite www.weg.net, bzw. sprechen sie WEG direkt an.

Für die Kontaktaufnahme mit WEG werden Sie gebeten, bitte die vollständige Bezeichnung des Motors, die Seriennummer und das Herstellungsdatum, wie auf dem Leistungsschild angegeben, zur Hand zu haben.

7. GEWÄHRLEISTUNG

WEG Equipamentos Eléctricos S.A., Division Motores ("WEG"), bietet für ihre Produkte auf Herstellungs- und Materialfehler eine Gewährleistungsfrist von 18 (achtzehn) Monaten nach Rechnungslegung im Werk oder von unserer Vertriebsniederlassung, bzw. Händler, beschränkt auf max. 24 Monate nach Herstellungsdatum. Gewährleistungsfrist für die Motoren der Baureihe HGF beträgt 12 (zwölf) Monate nach Rechnungslegung im Werk oder von unserer Vertriebsniederlassung, bzw. Händler, beschränkt auf max. 18 Monate nach Herstellungsdatum.

Die o.g. Absätze legen die rechtlichen Gewährleistungsfristen fest.

Wurde im Liefervertrag eine andere Gewährleistungsfrist für eine bestimmte Lieferung vereinbart, so ersetzt diese die oben genannten Fristen.

Die o.g. Gewährleistungsfristen hängen nicht von dem Einbau- und von dem Inbetriebnahmedatum ab.

Werden Abweichungen von dem normalen Betrieb des Produktes festgestellt, muss der Herstellungsfehler vom Käufer unverzüglich an WEG schriftlich mitgeteilt werden und die Maschine muss der Firma WEG oder einer von WEG zugelassenen Reparaturwerkstatt (Kundendienststelle) ausreichend lange zur Verfügung stehen, um die Ursachen dieser Abweichung zu identifizieren, die Gewährleistung zu überprüfen, sowie die entsprechenden Reparaturen vorzunehmen.

Um ein Anrecht auf die Gewährleistung zu haben, muss der Käufer die Angaben in den technischen WEG-Dokumenten, hauptsächlich die in der Installations-, Betriebs- und Wartungsanleitung des Produktes und die einschlägigen Normen und Sicherheitsvorschriften des betreffenden Landes erfüllen.

Ausgeschlossen von der Gewährleistung sind Fehler, die ihre Ursache in nicht ordnungsgemäßem Einsatz und Betrieb der Maschine, oder wegen Unterlassung der vorgeschriebenen vorbeugenden Wartung, als auch wegen Fehler durch äußere Faktoren wie z.B. der Einsatz von Geräten und Bauteilen, die nicht von WEG geliefert wurden.

Die Garantie wird ungültig, wenn der Kunde auf eigene Initiative, Reparaturen und/oder Änderungen am Gerät vorgenommen hat, ohne dass eine vorherige schriftliche Zustimmung der Firma WEG eingeholt wurde.

Ausgeschlossen von der Gewährleistung sind Ausrüstungen, Bau- und Einzelteile sowie Materialien, deren Lebensdauer geringer, als die Gewährleistungsfrist ist. Die Gewährleistung ist auch dann ungültig, wenn Mängel und/oder Probleme, die auf höhere Gewalt oder andere Ursachen zurückzuführen sind und die nicht auf die Firma WEG bezogen werden können. Als mögliche Beispiele wären unvollständige Spezifikationen mit falschen Daten seitens des Käufers, der den Transport, die Lagerung, die Handhabung, und die Installation, sowie den Betrieb und die vorgegebene Wartung nicht in Übereinstimmung mit den mitgelieferten Anweisungen beachtet hat. Auch Unfälle, Mängel an Zivilarbeiten, für Anwendungen und/oder Umgebungen, für die das Produkt nicht ausgelegt wurde, Geräte und/oder Bauteile, die nicht im WEG-Lieferumfang enthalten sind. Die Gewährleistung beinhaltet keine Demontagedienste in den möglichen Einrichtungen des Kunden, ebenso wenig Transport- und Anfahrtskosten des Produktes und die Reise- Unterkunfts- und Verpflegungskosten des technischen Personals, falls diese vom Kunden gefordert wurde.

Die unter die Gewährleistung fallenden Dienste werden ausschließlich in WEG genehmigten Werkstätten oder im Herstellerwerk durchgeführt. Die Reparatur oder der Ersatz von mangelhaften Bauteilen verlängert auf keinen Fall die Gewährleistungsfristen.

Die Zivilhaftung der Firma WEG beschränkt sich auf das gelieferte Produkt. Die Firma WEG ist nicht haftbar für Personenschäden, Schäden an Dritte, Schäden anderer Ausrüstungen oder anderen Anlagen, verlorengangene Gewinne oder anderer auftretende oder daraus entstandene Schäden, die sich aus dem Vertrag der Parteien ergeben.

1. INTRODUCCIÓN

L'installation, l'utilisation et la maintenance du moteur doivent être toujours réalisés par du personnel qualifié, en utilisant des outils et des méthodes adéquates et en tenant compte des instructions figurant dans les documents fournis avec le moteur.

Les instructions présentes dans ce document sont valables pour les moteurs WEG avec les caractéristiques suivantes:

- Moteurs à induction triphasés et monophasés (avec rotor à cage d'écuréuil) ;
- Moteurs triphasés à aimants permanents ;
- Moteurs triphasés hybrides (avec rotor à cage d'écuréuil + aimants permanents).

L'objectif de ce manuel est de fournir des informations importantes qui doivent être observées pendant le transport, le stockage, l'installation, l'utilisation et l'entretien des moteurs WEG. Pour cette raison, il est recommandé de lire attentivement les consignes indiquées ici avant de procéder à n'importe quelle intervention sur le moteur. La non observation des instructions contenues dans ce manuel, ainsi que celles référencées sur le site www.weg.net, annule la garantie du produit et peut causer des dommages sur des personnes et sur des matériaux.

Les moteurs électriques possèdent des circuits sous tension et des composants rotatifs visibles qui peuvent nuire aux personnes. Qui peuvent nuire aux personnes.

2. TRANSPORT, STOCKAGE ET MANIEMENT

Vérifier l'état du moteur au moment de la livraison. Si des dommages sont constatés, cela doit être notifié par écrit auprès de l'entreprise de transport et communiqué immédiatement à l'entreprise d'assurance ainsi qu'à WEG. Dans ce cas, aucun travail d'installation ne doit être commencé avant que le problème soit résolu.

Les informations contenues sur la plaque signalétique doivent correspondre à celles de la facture du produit et aux conditions d'environnement où le moteur sera installé. Dans le cas où le moteur n'est pas installé tout de suite, le stocker dans un endroit sec, exempt de poussière, de vibrations, de gaz et d'agents abrasifs, et avec une humidité relative de l'air inférieure à 60%.

Afin d'éviter la condensation de l'eau à l'intérieur du moteur pendant la période de stockage, il est recommandé de garder la résistance de chauffe allumée (le cas échéant). Pour éviter l'oxydation des roulements et assurer une distribution uniforme du lubrifiant, tourner l'axe du moteur au moins une fois par mois (faire 5 tours au minimum) en le laissant, à chaque fois, dans une position différente. Pour des roulements avec système de lubrification de type bain à huile, le moteur doit être stocké à l'horizontale, avec l'huile ISOVG68 sur le roulement en quantité indiquée dans le manuel disponible sur le site web et l'axe doit être tournée une fois par semaine. Si les moteurs avec roulements ouverts sont stockés plus de six mois, les roulements doivent être lubrifiés, avec la quantité de graisse indiquée sur la plaque signalétique, avant de les remettre en marche du moteur. Dans le cas où les moteurs sont stockés plus de 2 ans, changer les roulements ou alors les sortir, les nettoyer, les vérifier et les re-lubrifier avant de les remettre en marche. Après cette période de stockage, il est recommandé que les condensateurs de démarrage soient remplacés à cause d'éventuelles pertes de leurs caractéristiques opérationnelles.



Tout manquement du moteur doit être réalisé avec précaution afin d'éviter tout impact et/ou dommage aux roulements et avec le dispositif de transport /blocage de l'axe (si fourni) toujours installé.

Lever le moteur toujours par les anneaux de levage qui ont été prévus pour le poids du moteur et qui ne doivent jamais être utilisés pour le levage de charges additionnelles. Les anneaux de levage des composants, comme la boîte à bornes, le capot de ventilation, etc... doivent être utilisés seulement pour ces pièces quand elles sont démontées. Pour moteurs avec pieds amovibles (multimounting motors), les anneaux de levage doivent être positionnés selon le moteur position de montage de telle sorte que l'angle de levage est aligné verticalement (levée à 0°). Des informations supplémentaires sur les angles maximaux de levage sont indiquées dans le manuel général disponible sur le site web.

Mesurer périodiquement la résistance d'isolement du moteur avant de le mettre en route par la première fois. Vérifier les valeurs recommandées ainsi que les procédures de mesure sur le site.

3. INSTALLATION



Pendant l'installation, les moteurs doivent être protégés contre des démarrages accidentels. Vérifier le sens de rotation du moteur en le mettant en route vide avant d'accoupler la charge.

Démonter les pattes de support et dispositifs de blocage d'arbre (si fourni) avant de commencer l'installation du moteur. Les moteurs ne doivent être installés que dans des endroits compatibles avec leurs caractéristiques de constructions et dans des applications et environnements pour lesquels ils ont été conçus.

Les moteurs avec des pattes doivent être installés sur des bases prévues pour éviter les vibrations et assurer un parfait alignement. L'arbre du moteur doit être correctement aligné avec l'axe de la machine entraînée. Un alignement incorrect, ainsi qu'une tension de courroie inadéquate, entraînera des dommages aux roulements, provoquant des vibrations excessives et même la rupture de l'axe. Les charges radiales et axiales admissibles sur l'axe doivent être respectées. Elles sont indiquées dans le manuel sur le site web. Quand c'est possible, utiliser des accouplements flexibles.

Pour les moteurs avec des roulements lubrifiés à l'huile ou avec le système de lubrification du type bain à huile, connecter les tuyaux de refroidissement et de lubrification (le cas échéant). Pour les roulements lubrifiés à l'huile, le niveau d'huile doit être au centre du viseur.

Retirer la graisse de protection contre la corrosion de la pointe de l'axe et de la bride seulement juste avant l'installation du moteur.

Sauf spécification contraire, les moteurs WEG sont équilibrés dynamiquement en demi-clavette et à vide (désaccouplés). Les éléments de transmission comme les poulies, les accouplements, etc..., doivent être équilibrés correctement avant d'être installés sur l'axe du moteur.

Vérifier aussi la position correcte de montage des drains selon l'indication dans le manuel sur le site web.



Ne pas empêcher la ventilation du moteur. Garder une distance minimale de $\frac{1}{4}$ du diamètre d'entrée d'air du déflecteur par rapport aux murs. L'air utilisé pour le refroidissement du moteur doit être à la température ambiante, limité à la température indiquée sur la plaque signalétique du moteur.

Pour des moteurs assemblés dans des environnements ouverts ou dans la position verticale, l'utilisation d'une protection supplémentaire contre l'entrée de liquides et/ou particules solides est nécessaire, comme par exemple, l'utilisation d'une tôle-parapluie.

Afin d'éviter des accidents, certifier, avant de mettre le moteur en marche, que la mise à la terre a bien été réalisée selon les normes en vigueur et que la clavette est bien fixée.

Réaliser la connexion du moteur au réseau électrique par des contacts sûrs et permanents, toujours en observant les données indiquées sur la plaque signalétique comme la tension nominale, le schéma de raccordement, etc.

Pour la connexion des câbles d'alimentation, du système de mise à la terre, le serrage du couvercle de la boîte de raccordement et du collecteur d'égouttement, les couples de serrage indiqués au Tableau 3.1 doivent être respectés.

Tableau 3.1 - Couples de serrage pour les éléments de fixation [Nm]

Composent	M4	M5	M6	M8	M10	M12	M14	M16	M20	UNF 8x32	UNF 10x32	UNC 10x24
Plaque à bornes	1 à 1,5	2 à 4 ¹⁾	4 à 6,5	6,5 à 9	10 à 18	15,5 à 30	-	30 à 50	50 à 75	1 à 2	-	-
Mise à la terre	1,5 à 3	3 à 5	5 à 10	10 à 18	28 à 40	45 à 70	-	115 à 170	-	-	-	2,5 à 3
Couvercle de la boîte de raccordement	-	3 à 5	4 à 8	8 à 15	18 à 30	25 à 40	30 à 45	35 à 50	-	-	-	2,5 à 3
Tôle-parapluie installé dans le capot du ventilateur	1,5 à 2,3	3,5 à 5	6 à 9	14 à 20	-	-	-	-	-	-	1 à 1,5	-
Tôle-parapluie installé dans le flasque côté opposé	-	3,5 à 5	6 à 9	14 à 20	-	-	-	-	-	-	1,5 à 2	2,5 à 3

1) Pour le bornier à 12 broches, la plage de couple de serrage autorisée est: minimum 1,5 Nm et maximum 2,5 Nm.

Pour le dimensionnement des câbles d'alimentation ainsi que pour les dispositifs de manœuvre et de protection, considérer, entre autres, la tension nominale du moteur, le facteur de service, la longueur des câbles, etc. Pour des moteurs sans plaque à bornes, isoler les câbles du moteur en utilisant des matériaux isolants compatibles avec la classe de l'isolement indiquée sur la plaque signalétique. La distance minimale d'isolation entre les parties vives non isolées entre elles, et entre les parties vives et la mise à la terre, doit être conforme aux normes et réglementations applicables pour chaque pays.



Prendre les mesures nécessaires afin d'assurer le degré de protection indiqué sur la plaque signalétique du moteur:

- Inutilisés trous d'entrée de câble dans les boîtes à bornes doivent être bien fermés avec des bouchons;

- Les entrées des câbles utilisés pour l'alimentation et contrôle doivent utiliser uniquement des composants (comme, par exemple, presse-étoupes et tubages) qui correspondent aux normes et réglementations en vigueur dans chaque pays.

- Composants livrés en vrac (par exemple, les boîtes à bornes montées séparément) doit être correctement fermé et scellé;

- Éléments de fixation montés dans le enfilée à travers des trous dans l'enceinte du moteur (par exemple, la bride) doivent être correctement scellés.

Le moteur doit être installé avec des dispositifs de protection contre la surcharge. Pour des moteurs triphasés, l'installation de systèmes de protection contre l'absence de phase est recommandée également. Au cas où le moteur a des dispositifs pour le suivi de la température, ils doivent être allumés pendant l'utilisation et même pendant les tests. Vérifier le fonctionnement correct des accessoires (frein, codeur, protection thermique, ventilation forcée, etc.) installés dans le moteur avant sa mise en route.



Les moteurs équipés de protecteurs thermiques automatiques se remettront en marche dès qu'ils seront refroidis. Donc, ne pas utiliser des moteurs équipés de protection thermique automatique dans une application où la remise en marche automatique peut devenir dangereuse pour les personnes et pour les équipements.

Les moteurs équipés de protecteurs thermiques manuels doivent être remis en marche manuellement après l'utilisation. Dans le cas où le protecteur thermique automatique ou manuel travaille, débrancher le moteur du réseau électrique et vérifier la raison de l'activation du protecteur thermique.

Les moteurs W22 Magnet ne doivent être actionnés que par un variateur de fréquence WEG.

Pour des informations sur l'utilisation de variateur de fréquence, il est obligatoire de suivre les consignes du manuel des moteurs sur le site www.weg.net et du manuel des variateurs de fréquence.

4. UTILISATION



Pendant l'utilisation ne pas toucher les parties alimentées non isolées et ne jamais toucher ou rester près des parties tournantes.

Assurez-vous que la résistance de chauffe soit éteinte pendant l'utilisation du moteur.

Les valeurs nominales de performance et les conditions d'utilisation sont indiquées sur la plaque signalétique du moteur. Les variations de tension et de fréquence d'alimentation ne doivent jamais dépasser les limites établies par les normes en vigueur.

Des possibles déviations par rapport à l'utilisation normale (activation des protections thermiques, augmentation du bruit, vibrations, température et courant) doivent être évaluées par un personnel formé. En cas de doutes, débrancher le moteur immédiatement et contacter l'assistant technique agréé WEG le plus proche.

L'utilisation de roulements à rouleaux pour l'accouplement direct n'est pas recommandée. Les moteurs équipés de roulement à rouleaux ont besoin d'une charge radiale minimum pour un fonctionnement satisfaisant.

Lors de l'arrêt d'un moteur équipé de systèmes de lubrification des roulements à huile ou bain à huile, le système de refroidissement doit rester allumé jusqu'à l'arrêt total de la machine.

Après l'arrêt du moteur, les systèmes de refroidissement et/ou de lubrification (le cas échéant) ne doivent pas être éteints et les résistances de chauffe doivent être allumées.

5. MANUTENTION



Avant de commencer n'importe quel service sur le moteur, il doit être complètement arrêté, débranché du réseau d'alimentation et protégé contre une éventuelle remise en marche. Malgré l'arrêt du moteur, il peut subsister des tensions sur les bornes de résistances de chauffage.

Pour les moteurs équipés de condensateurs, il faut les décharger avant de les manier ou d'exécuter n'importe quel service.

Le démontage du moteur pendant la période de garantie ne doit être exécuté que par l'Assistant Technique agréé WEG.



Pour les moteurs à aimants permanents (W22 Quattro et W22 Magnet), le montage et le démontage du moteur nécessitent l'utilisation de dispositifs adéquats dû aux forces d'attraction ou répulsion qui surviennent entre les pièces métalliques. Ce service ne doit être réalisé que par l'Assistant Technique agréé WEG ayant l'expérience spécifique pour une telle opération. Les personnes utilisant des stimulateurs cardiaques ne peuvent pas travailler sur ces moteurs. Les aimants permanents peuvent provoquer des perturbations ou dommages à d'autres équipements électriques et composants pendant l'entretien. Pour les lignes de moteur W50 et HGF fournis avec des ventilateurs axiaux, le moteur et le ventilateur axial ont des marquages pour indiquer le sens de rotation pour empêcher un montage incorrect. Le ventilateur axial doit être assemblé de telle sorte que la flèche indiquant le sens de rotation est toujours visible, l'affichage du côté d'extrémité non-entraînement. Le marquage indiqué sur la lame axiale du ventilateur, "CW" pour le sens horaire de rotation ou de "CCW" pour le sens inverse de rotation, indique le sens de rotation du moteur de visualisation du côté de l'extrémité d'entraînement.

Vérifier les joints, les vis de fixation, les roulements, le niveau de vibration et de bruit, les drains, etc. L'intervalle de graissage est indiquée sur la plaque signalétique du moteur.

6. INSTRUCTIONS SUPPLÉMENTAIRES

Pour des informations supplémentaires sur le transport, le stockage, le maniement, l'installation, l'utilisation et la maintenance des moteurs électriques, aller sur le site www.weg.net.

Pour des applications et conditions spéciales d'utilisation (exemple : moteur pour extraction de fumée, *totally enclosed air over* (TEAO) moteur pour des charges radiales et axiales élevées, moteurs à frein) il est nécessaire de consulter le manuel sur le site ou contacter WEG.

Pour tout contact avec WEG, il faut avoir en mains la désignation complète du moteur ainsi que son numéro de série et la date de fabrication indiqués sur la plaque signalétique du moteur.

7. CONDITIONS DE GARANTIE

WEG Equipamentos Elétricos S/A, Unité Moteurs ("WEG"), offre une garantie contre les défauts de fabrication et défaillances matérielles de ses produits pour une période de 18 mois à partir de la date d'émission de la facture de l'usine ou du distributeur/revendeur, et ce pour une durée limitée à 24 mois à partir de la date de fabrication du produit. Les moteurs de la Ligne HGF sont couverts par cette garantie pour une période de 12 mois à compter de la date d'émission de la facture de l'usine ou du distributeur/revendeur, et ce pour une durée limitée à 18 mois à partir de la date de fabrication du produit.

Les paragraphes précédents édictent les délais de garantie légale.

Dans le cas où une période de garantie différente est définie dans la proposition technico-commerciale d'une vente particulière, elle remplacera les délais édictés ci-dessus.

Les délais de garantie établis ci-dessus sont indépendants de la date d'installation et du démarrage du produit.

Si un défaut ou une anomalie est détecté lors du fonctionnement de la machine, le client devra immédiatement notifier WEG par écrit du problème qui s'est produit, et mettre le produit à la disposition de WEG ou de son Assistance Technique Agréée pour la durée nécessaire à l'identification de la cause du défaut, à la vérification de la couverture de la garantie et à la réalisation des réparations nécessaires.

Pour que la garantie soit valide, le client doit s'assurer qu'il respecte les exigences des documents techniques de WEG, particulièrement celles indiquées dans le Manuel d'installation, utilisation et maintenance du produit, ainsi que les normes et règlements applicables et en vigueur dans le pays.

Les défauts découlant d'une installation, d'un fonctionnement et/ou d'une utilisation négligents ou inappropriés de l'équipement, de la non-exécution de la maintenance préventive normale, ainsi que les défauts découlant de facteurs externes, ou d'équipement et de composants non fournis par WEG, ne seront pas couverts par la garantie.

La garantie ne s'appliquera pas si le client, de sa propre initiative, effectue les réparations et/ou les modifications de l'équipement sans consentement préalable écrit de WEG.

La garantie ne couvrira pas les équipements, composants, parties et matériaux dont la durée de vie est généralement plus courte que la durée de la garantie. Elle ne couvrira pas les défauts et/ou problèmes résultant de cas de force majeure ou d'autres causes non imputables à WEG, telles que mais non limitées à: spécifications ou données incorrectes ou incomplètes fournies par le client; transport, stockage, manquement, installation, utilisation et maintenance du produit non conformes aux instructions fournies; accidents; défauts dans les travaux de construction; utilisation dans des applications et/ou des environnements pour lesquels la machine n'a pas été créée; équipements et/ou composants non inclus dans le champ d'application de la prestation de WEG. La garantie n'inclut pas les services de démontage dans les locaux de l'acheteur, les coûts de transport du produit, les dépenses pour le transport, le logement et les repas du personnel de l'Assistance Technique, lorsque demandés par le client.

Les services sous garantie seront réalisés exclusivement dans les ateliers d'Assistance Technique agréés de WEG ou dans l'une de ses usines de fabrication. En aucun cas, le service garantie prolongera les délais de garantie de l'équipement.

La responsabilité civile de WEG est limitée au seul produit fourni; WEG ne sera pas responsable des dommages indirects ou consécutifs, tels que les pertes de profits, les pertes de revenus et les pertes similaires qui pourraient résulter du contrat signé entre les parties.

1. ПРЕДИСЛОВИЕ

Установка, эксплуатация и техническое обслуживание электродвигателей всегда должны производиться квалифицированным персоналом с использованием соответствующих методов и инструментов и в соответствии с указаниями, содержащимися в документации, которая поставляется вместе с электродвигателем.

Инструкции, содержащиеся в данном документе, распространяются на электродвигатели WEG со следующими характеристиками:

- трёхфазные и однофазные индукционные электродвигатели (с короткозамкнутым ротором);
- трёхфазные электродвигатели с постоянными магнитами;
- гибридные трёхфазные электродвигатели (с короткозамкнутым ротором и постоянными магнитами);

Целью настоящего руководства является предоставление важной информации о мерах, которые необходимо соблюдать при транспортировке, хранении, установке, эксплуатации, техническом обслуживании и утилизации электродвигателей WEG. В соответствии с этим, рекомендуем внимательно изучить содержащиеся здесь инструкции до начала проведения каких-либо работ с электродвигателем. Несоблюдение инструкций, содержащихся в настоящем руководстве, а также приведённых на сайте www.weg.net, аннулирует гарантию на изделие и может привести к серьёзным травмам и материальному ущербу.

Токосоведущие электрические цепи и открытые вращающиеся компоненты электродвигателей могут причинить физические травмы.

2. ТРАНСПОРТИРОВКА, ХРАНЕНИЕ И ГРУЗОПОДЪЁМНЫЕ РАБОТЫ

При получении электродвигателя проверьте его состояние. При обнаружении повреждений необходимо письменно зафиксировать их в транспортной организации и немедленно сообщить об этом страховой компании и компании WEG. В этом случае нельзя начинать какие-либо работы по установке до тех пор, пока выявленный дефект не будет устранен.

Данные на идентификационной табличке должны соответствовать тем, которые указаны в накладной, а также условиям рабочего помещения, где будет установлен электродвигатель. Если не предполагается немедленная установка электродвигателя, рекомендуется хранить его в сухом месте с относительной влажностью воздуха не более 60% без пыли, вибраций, газов и коррозионных агентов.

Во избежание конденсации влаги внутри электродвигателя в период хранения рекомендуется подключить заземлённый противоконденсатный обогреватель (если это возможно). Чтобы избежать окисления подшипников и обеспечить равномерное распределение смазки, по меньшей мере раз в месяц прокручивайте вал электродвигателя (сделав минимум 5 оборотов), каждый раз оставляя его в новом положении. При наличии подшипников с системой смазки типа смазка масляным туманом электродвигатель необходимо хранить в горизонтальном положении с залитым в подшипник маслом ISO VG 68 в количестве, указанном в руководстве, выложенном на сайте, а вал необходимо прокручивать еженедельно. Если двигатели с открытыми подшипниками сохраняются дольше, чем шесть месяцев, подшипники должны быть смазаны, с количеством смазки, указанной на заводской табличке, перед вводом в эксплуатацию двигателя. В случае, если электродвигатели хранились на складе более 2 лет, перед их эксплуатацией рекомендуется заменить подшипники либо извлечь их, промыть, осмотреть и снова смазать. По окончании периода хранения также рекомендуется заменить пусковые конденсаторы вследствие возможного ухудшения их рабочих характеристик.



Любые грузоподъёмные работы должны выполняться с осторожностью во избежание ударов и повреждения подшипников скольжения при обязательной установке устройства для транспортировки/соединения вала (если предусмотрено).

Поднимать электродвигатель следует исключительно с помощью монтажных петель, рассчитанных на вес электродвигателя, которые, однако, ни в коем случае нельзя использовать при подъёме дополнительных грузов. Монтажные петли компонентов электродвигателя, таких как распределительная коробка, также должны использоваться для проведения грузоподъёмных работ на этих элементах, когда они демонтированы. Для электродвигателей, которые можно эксплуатировать в различных монтажных положениях (со сменными лапами), следует учитывать расположение рымболтов на корпусе электродвигателей таким образом, чтобы угол поднятия был 0° по отношению к оси подъёма (строго вертикальный подъём). Дополнительная информация о максимальных углах подъёма содержится в выложенном на сайте общем руководстве.

Периодически измеряйте сопротивление изоляции электродвигателя, также измерьте его перед первой подачей питания. Рекомендуемые значения и методики измерения можно посмотреть на сайте.

3. УСТАНОВКА



Во время установки электродвигатели должны быть защищены от случайного запуска. Проверьте направление вращения электродвигателя, до подачи нагрузки прогнав его сначала на холостом ходу.

Транспортные и блокировочные устройства (если предусмотрены) должны быть сняты с двигателя еще до его монтажа.

Электродвигатели можно устанавливать лишь в помещениях, соответствующих их конструктивным характеристикам, а также в соответствии с назначением и средами, на которые они рассчитаны.

Электродвигатели на лапах должны устанавливаться на ровных основаниях во избежание вибрации и для обеспечения безукоризненного выравнивания. Вал электродвигателя должен быть адекватно отцентрирован с валом приводимой в действие машины. При неправильном центрировании, как и при неправильном натяжении приводных ремней, могут быть повреждены подшипники, что приведет к чрезмерной вибрации вплоть до повреждения вала. Необходимо соблюдать допустимые параметры радиальных и осевых нагрузок, указанных в выложенном на сайте общем руководстве. Везде, где это возможно, используйте гибкие соединения.

Если электродвигатели снабжены подшипниками со смазкой жидким маслом или с системой смазки масляным туманом, необходимо подсоединить к ним трубки для охлаждения и смазки (если это возможно).

Для подшипников, смазываемых маслом, уровень масла должен быть в центре смотрового стекла.

Непосредственно перед установкой электродвигателя удалите с шейки вала и фланца защитную антикоррозионную смазку.

Если не указано обратное, электродвигатели WEG динамически балансируются полупонкой и на холостом ходу (без подсоединения). Передающие элементы, такие как блоки, муфты и т.д. перед установкой на вал электродвигателя должны быть адекватно сбалансированы.

Следите за правильным монтажом и расположением дренажной системы, которые должны соответствовать схеме, указанной в выложенном на сайте руководстве по эксплуатации.



Не заграждайте вентиляцию двигателя. Сохраняйте минимальный зазор в $\frac{1}{4}$ диаметра дефлектора на входе воздуха по отношению к расстоянию от стенок. Температура воздуха, используемого для охлаждения двигателя, должна равняться температуре окружающей среды с ограничениями, указанными на идентификационной табличке двигателя.

Для электродвигателей, установленных на открытом воздухе или в вертикальном положении, необходимо использовать дополнительную защиту от проникновения жидкостей и/или твердых частиц - например, навес.

Во избежание несчастных случаев перед запуском двигателя проверьте, соответствует ли заземление действующим нормам и хорошо ли закреплена шпонка.

Правильно подключайте электродвигатель к электрической сети с помощью безопасных и стабильных контактов, всегда соблюдая параметры, указанные на идентификационной табличке - такие как номинальное напряжение, схема подключения и т.д.

Следует учитывать моменты затяжек силовых кабелей, системы заземления, клеммной коробки и защитного кожуха от осадков приведены в таблице 3.1.

Таблица 3.1 – Крутящие моменты затяжек для крепежных элементов [Нм]

Компонент	M4	M5	M6	M8	M10	M12	M14	M16	M20	UNF 8x32	UNF 10x32	UNC 10x24
Клеммы клеммной колодки	1 - 1,5	2 - 4 ¹⁾	4 - 6,5	6,5 - 9	10 - 18	15,5 - 30	-	30 - 50	50 - 75	1 - 2	-	-
Заземление	1,5 - 3	3 - 5	5 - 10	10 - 18	28 - 40	45 - 70	-	115 - 170	-	-	-	2,5 - 3
Крышка клеммной коробки	-	3 - 5	4 - 8	8 - 15	18 - 30	25 - 40	30 - 45	35 - 50	-	-	-	2,5 - 3
Защитный кожух от осадков, установленный на вентиляторном кожухе	1,5 - 2,3	3,5 - 5	6 - 9	14 - 20	-	-	-	-	-	-	1 - 1,5	-
Защитный кожух от осадков, установленный на подшипниковом щите с	-	3,5 - 5	6 - 9	14 - 20	-	-	-	-	-	-	1,5 - 2	2,5 - 3

1) Для 12-контактной клеммной колодки допустимый диапазон затяжки: минимум 1,5 Нм и максимум 2,5 Нм.

При выборе параметров кабелей питания, устройств управления и защиты необходимо принимать во внимание: номинальный ток электродвигателя, коэффициент нагрузки, длину кабелей и т.д. Для электродвигателей без клеммной пластины необходимо изолировать кабельные выводы с помощью изолирующих материалов, соответствующих классу изоляции, указанному на идентификационной табличке. Минимальные изоляционные расстояния между двумя неизолированными токоведущими частями и между токоведущими частями и заземлением должны соответствовать нормам и стандартам страны, в которой будет установлено оборудование, в каждом отдельном случае.



Необходимо принять соответствующие меры для того, чтобы обеспечить степень защиты, указанную на шильде электродвигателя:

- Неиспользуемые кабельные вводы должны быть закрыты заглушками;
- Кабельные вводы должны быть оснащены такими компонентами, как шальники и кабель-каналы;

- Компоненты, которые поставляются не в сборе (например, клеммные коробки, монтаж которых осуществляется отдельно), должны быть закрыты соответствующим образом, с использованием уплотнителей – кабельных вводов, заглушек и прокладок;

- Крепежные элементы, которые устанавливаются в сквозные резьбовые отверстия станины электродвигателя (например, во фланце), должны быть уплотнены герметиком соответствующим образом.

Электродвигатель должен устанавливаться с устройствами защиты от перегрузки. Для трёхфазных электродвигателей также рекомендуется установка систем защиты от потери фазы. Если электродвигатель оснащён устройствами слежения за температурой, их необходимо подключать во время работы, включая тестирование. До начала эксплуатации электродвигателя проверьте правильность работы установленных на нём устройств (тормоз, датчик обратной связи, теплозащита, принудительная вентиляция и т.д.)



Электродвигатели, оснащённые устройствами тепловой защиты с автоматическим возвратом в исходное положение, автоматически подключаются после охлаждения двигателя. Поэтому нельзя использовать электродвигатели, оснащённые устройствами тепловой защиты с автоматическим возвратом в исходное положение в условиях, когда автоматическое подключение может представлять опасность для людей или оборудования.

Электродвигатели, оснащённые устройствами тепловой защиты с ручным возвратом в исходное положение, подключаются вручную после запуска. При срабатывании устройства тепловой защиты как с автоматическим, так и с ручным возвратом отсоедините двигатель от электрической сети и выясните причину срабатывания устройства тепловой защиты.

Электродвигатели W22 Magnet необходимо подсоединять только через частотно-регулируемый привод WEG.

Информация об использовании частотно-регулируемого привода содержится в руководстве по эксплуатации электродвигателя на сайте www.weg.net и в руководстве по эксплуатации частотно-регулируемого привода.

4. ЭКСПЛУАТАЦИЯ



Во время работы электродвигателя никогда не касайтесь токоведущих частей и никогда не касайтесь и не подходите близко к вращающимся частям.

Убедитесь, что во время работы электродвигателя противоконденсатный обогреватель отключён

Номинальные рабочие параметры и условия работы указаны на идентификационной табличке электродвигателя. Колебания напряжения и частоты питающего тока никогда не должны выходить за пределы, установленные действующими нормативами.

Возможные отклонения от нормальной работы (срабатывание устройств тепловой защиты, усиление шума, вибрации, температуры и силы тока) должны оцениваться персоналом, имеющим соответствующую квалификацию. При наличии каких-либо сомнений немедленно выключите электродвигатель и свяжитесь с ближайшим техническим специалистом, уполномоченным компанией WEG.

При прямом подключении к приводной в действие машине не рекомендуется использовать роликовые подшипники. Электродвигатели, оснащённые роликовыми подшипниками, для удовлетворительной работы должны иметь минимальную радиальную нагрузку.

Во время отключения машины система охлаждения и система смазки жидким маслом подшипников скольжения или масляным туманом должны оставаться подключёнными до полной остановки машины.

После остановки электродвигателя необходимо отключить системы охлаждения, принудительной смазки и смазки под давлением (если они имеются) и включить терморезисторный обогреватель.

5. ТЕХНИЧЕСКОЕ ОБСЛУЖИВАНИЕ



Перед началом любых работ по техническому обслуживанию электродвигатель нужно полностью остановить, отсоединить от сети питания и защитить от возможного подключения. При остановленном электродвигателе допускается наличие напряжения на клеммах противоконденсатного обогревателя.

Если электродвигатели оснащены конденсаторами, необходимо их разрядить до выполнения грузоподъемных работ или каких-либо работ по техническому обслуживанию.

Демонтаж электродвигателя в период действия гарантии должен производиться исключительно техническим специалистом, уполномоченным компанией WEG.

Если электродвигатели оснащены роторами с постоянным магнитом (W22 Quattro и W22 Magnet), установка и демонтаж электродвигателя должны производиться с использованием специального оборудования из-за воздействия сил притяжения или отталкивания между металлическими частями. Такого рода техническое обслуживание должно производиться исключительно техническим специалистом, уполномоченным компанией WEG, и предварительно прошедшего специальную подготовку для выполнения этой операции. Лица, использующие электрокардиостимуляторы, не могут обслуживать эти электродвигатели. Постоянные магниты во время технического обслуживания могут также вызвать неполадки или повреждения другого электрооборудования, или электрических компонентов.

Для моторных линий W50 и HGF снабжены осевыми вентиляторами, двигатель и осевой вентилятор имеют разные маркировки для указания направления вращения предотвращения неправильной сборки. Осевой вентилятор должен быть смонтирован таким образом, чтобы стрелка указывает направление вращения всегда виден, просмотр концевой стороны без привода. Маркировка, указанное на осевой лопасти вентилятора, CW по часовой стрелке вращения или против часовой стрелки против часовой стрелки направления вращения, указывает на направление вращения двигателя просматриваемой стороны привода сторону.

Регулярно проверяйте работу электродвигателя в соответствии с его назначением, обеспечивая свободный приток воздуха. Проверяйте герметизацию стыков, крепёж, подшипники, уровень вибрации, дренажную систему и т.д.

Периодичность смазки указана на заводской табличке двигателя.

6. УТИЛИЗАЦИЯ

Электродвигатели, выработавшие свой ресурс, не представляющие опасности для здоровья человека и окружающей среды и подлежат утилизации.

При утилизации электродвигателей необходимо действовать в рамках местного законодательства.

Для проведения утилизации необходимо предварительно разобрать двигатель и отделить цветные (медь, алюминий, сталь) и черные металлы (чугун) для последующей передачи организациям, занимающихся их переработкой.

Детали двигателя из органических соединений (лак, резина, пластмассовые детали, и т.д.) утилизируются в соответствии с соблюдением экологических норм.

7. ДОПОЛНИТЕЛЬНАЯ ИНФОРМАЦИЯ

Трехфазные индукционные электродвигатели низкого напряжения с короткозамкнутым ротором соответствуют требованиям Постановления Правительства РФ от 12 августа 2010 г. № 620 "Об утверждении технического регламента о безопасности объектов морского транспорта". В соответствии с Общероссийским классификатором продукции (ОКП), асинхронные электродвигатели имеют код 33 3610. Для двигателей с сертификацией Российского Морского Регистра Судоходства, следующих на судно с флагом Российской Федерации, идентификационная табличка маркируется знаком обращения на рынке в соответствии с действующими требованиями законодательства Российской Федерации.

Дополнительную информацию о транспортировке, хранении, установке, эксплуатации и техническом обслуживании электродвигателей смотрите на сайте www.weg.net.

По поводу специальных применений и особых условий работы (например, электродвигатели для дымоудаления, ТЕАО, двигатели с высокими радиальными и осевыми нагрузками, двигатели с тормозом) необходимо изучить руководство по эксплуатации, расположенное на сайте, или связаться с представителем компании WEG.

При контакте с WEG необходимо указывать точное назначение электродвигателя, а также его серийный номер и дату выпуска, указанные на идентификационной табличке электродвигателя.

8. ГАРАНТИЙНЫЕ УСЛОВИЯ

WEG Equipamentos Elétricos S/A, Motors Business Unit (далее WEG), предоставляет гарантию на устранение дефектов изготовления и на материалы для своих продуктов в течение 18 месяцев, начиная с даты выписки счета-фактуры заводом-изготовителем или дистрибьютором/дилером, но не более 24 месяцев с даты изготовления.

Гарантия на двигатели серии HGF действует в течение 12 месяцев, начиная с даты выписки счета-фактуры заводом-изготовителем или дистрибьютором/дилером, но не более 18 месяцев с даты изготовления.

Перечисленные выше обязательства включают стандартные гарантийные сроки.

В случае назначения гарантийного срока каким-либо иным способом в коммерческом/техническом предложении, касающемся отдельной сделки, данный гарантийный срок будет иметь приоритет перед гарантийными сроками, указанными выше.

Гарантийные сроки не зависят от даты установки и пуска изделия в эксплуатацию.

В случае обнаружения какого-либо дефекта или неисправности в процессе эксплуатации оборудования, клиент обязан немедленно уведомить об этом компанию WEG в письменном виде, описав при этом обнаруженный дефект, после чего направить изделие компании WEG или сдать его в авторизованный сервисный центр на время, необходимое для установления причины дефекта, проверки соблюдения клиентом требований по эксплуатации изделия (для сохранения за ним права на гарантийное обслуживание), а также выполнения соответствующего ремонта.

Для того чтобы сохранить за собой право на гарантийное обслуживание, клиент должен выполнять требования, изложенные в технической документации WEG, в частности требования, изложенные в Руководстве по установке, эксплуатации и техобслуживанию, а также в применимых стандартах и нормативной документации, действующих на территории страны, в которой эксплуатируется изделие.

Дефекты, возникшие по причине неправильного или небрежного пользования изделием и/или неправильной установки изделия, либо невыполнения регулярного технического обслуживания и регулярного текущего ремонта, а также дефекты, появившиеся под действием внешних факторов или оборудования и компонентов, не поставляемых WEG, не будут устраняться по гарантии.

Клиент также теряет свое право на гарантийное обслуживание в случае несанкционированного выполнения ремонта и/или внесения изменений в конструкцию изделия без предварительного получения письменного разрешения компании WEG.

Гарантия также не распространяется на оборудование, компоненты, детали и материалы, срок службы которых меньше указанного гарантийного срока. Гарантия также не распространяется на дефекты и/или неисправности, возникшие под действием форс-мажорных обстоятельств или по другим причинам, которые не могут быть отнесены на счет WEG, а именно, но не ограничиваясь этим: вследствие предоставления клиентом неверных или неполных технических характеристик и сведений; транспортировки, хранения, перемещения, установки, эксплуатации и техобслуживания в нарушение требований инструкции; чрезвычайных ситуаций; дефектов при выполнении монтажных работ; применения для других целей, а также в других условиях, для которых изделие не предназначено; использования оборудования и/или компонентов, которые не были включены в комплект поставки WEG. Гарантия не покрывает стоимость услуг по разборке изделия по месту эксплуатации, расходы по транспортировке изделия, а также затраты на поездки, проживание и питание технических специалистов сервисных центров, вызванных по заявке клиента.

Услуги, которые покрываются гарантией, оказываются исключительно в авторизованных сервисных центрах компании WEG или на одном из его заводов-изготовителей. Факт выполнения услуг по гарантийному обслуживанию никоим образом не является основанием для продления гарантийного срока для соответствующего оборудования.

Зона гражданско-правовой ответственности компании WEG ограничена исключительно поставляемой продукцией; WEG не несет ответственности за непрямые убытки или косвенный ущерб, такие, как потеря прибыли и доходов, и тому подобные последствия, которые могут явиться результатом договора, подписанного между сторонами.

NEDERLANDSE

1. VOORWOORD

De installatie, de bediening en het onderhoud van de motor moet altijd worden uitgevoerd door opgeleid personeel met behulp van geschikte gereedschappen en werkwijzen en volgens de richtlijnen vervat in de documenten die met de motor worden geleverd.

De instructies in dit document zijn geldig voor WEG-motoren met de volgende kenmerken:

- Driefasige en monofasische inductiemotoren (met kooirotor);
- Driefasige motoren met permanente magneten;
- Driefasige hybride motoren (met kooirotor + permanente magneten).

Het doel van deze handleiding is het verschaffen van belangrijke informatie die gevolgd moeten worden tijdens het transport, opslag, installatie, bediening en onderhoud van WEG-motoren. Om deze reden adviseren wij het aandachtig lezen van de hierin opgenomen instructies alvorens enige interventie in de motor. Het niet opvolgen van de instructies in deze handleiding en de overige instructies waarnaar wordt verwezen op de site www.weg.net volgen annuleert de garantie op het product en kan leiden tot ernstig persoonlijk letsel en schade.

Elektrische motoren bevatten geladen circuits en draaiende blootgestelde componenten die schadelijk kunnen zijn voor mensen.

2. VERVOER, OPSLAG EN HANDELING

Controleer de conditie van de motor bij ontvangst. Indien er schade wordt geconstateerd, dient dit schriftelijk te worden vastgelegd bij de vervoerder, en onmiddellijk medegedeeld aan de verzekeringsmaatschappij en aan WEG. In dit geval moet geen installatiewerk worden begonnen voordat het probleem wordt opgelost.

De informatie op het typeplaatje moet overeenkomen met de factuur van het product en de omgevingsomstandigheden van de werkplaats waar de motor zal worden geïnstalleerd. Indien de motor niet onmiddellijk wordt geïnstalleerd, raden wij u aan de motor te bewaren in een schone en droge plaats vrij van stof, trillingen en agressieve chemicaliën en met een relatieve vochtigheid van niet meer dan 60%.

Om watercondensatie in de motor tijdens de opslag te voorkomen, is het raadzaam om de verwarmingsweerstand aangeschakeld te houden (indien beschikbaar). Om oxidatie van de lagers te voorkomen en een gelijkmatige verdeling van het smeermiddel te garanderen, moet de motor ten minste eenmaal per maand (met ten minste 5 ronden) worden gedraaid en altijd op een verschillende positie bewaard. Voor lagers met een smeersysteem van het oil mist type, moet de motor horizontaal worden opgeslagen met ISO VG 68 olie in het lager, op de hoeveelheid vermeld in de handleiding (beschikbaar op de website), en de as moet wekelijks worden gedraaid. Als motoren met open lagers langer dan zes maanden worden opgeslagen, moeten de lagers worden gesmeerd, met de hoeveelheid vet op het typeplaatje, vóór de inbedrijfstelling van de motor. Indien de motoren voor meer dan twee jaar worden opgeslagen, is het aanbevolen om de lagers te vervangen, of ze te verwijderen, te wassen, te inspecteren en opnieuw te smeren vóór de inbedrijfstelling. Na deze opslagperiode is het ook aanbevolen dat startcondensatoren vervangen worden vanwege het eventueel verliezen van hun operationele kenmerken.



Alle behandelingen van de motor moeten op een zachte wijze worden uitgevoerd om schokken en beschadiging van de lagers te voorkomen en met de transport bescherming / asvergrendeling (indien meegeleverd) altijd geïnstalleerd

Hijs de motor altijd bij de hijsogen op die slechts voor het gewicht van de motor zijn geschikt en die nooit moeten worden gebruikt om extra gekoppelde ladingen te hijsen. De hijsogen van componenten zoals aansluitdoos, dekking, baffle, enz. mogen alleen worden gebruikt om deze onderdelen te behandelen als zij gedemonteerd worden. Bij motoren met afneembare voet (multimounting motors), moet de hijsogen worden geplaatst volgens de motor montage positie, zodat de opheffing hoek verticaal is uitgelijnd (tillen bij 0°). Aanvullende informatie over de maximale hoeken voor het opheffen zijn opgenomen in de algemene handleiding op de website.

De isolatieweerstand van de motor moet periodiek worden gemeten en tevens voordat het voor de eerste keer wordt geladen. Controleer de aanbevolen waarden en metingprocedures op de site.

3. INSTALLATIE



Tijdens de installatie moeten de motoren worden beschermd tegen een ongewild starten. Start de motor los van de lading om de draairichting te controleren.

Verwijder de transportbeveiliging en de asvergrendeling (indien geleverd) alvorens te starten met de motorinstallatie.

Motoren mogen alleen worden geïnstalleerd in locaties die compatibel zijn met hun constructie en toepassingen en in de omgevingen waarvoor ze werden ontworpen.

Motoren met voeten moeten worden geïnstalleerd op een goed voorbereide onderbouw om trillingen te voorkomen en een perfecte aanpassing te garanderen. De motoras moet goed worden uitgelijnd met de as van de aangedreven machine. Een slechte uitlijning, alsmede een onvoldoende spanning van de aandrijfriemen, zullen zeker de lagers beschadigen, wat overmatige trillingen en zelfs het breken van de as kan veroorzaken. Let op de toelaatbare radiale en axiale belastingen op de as die worden aangegeven in de algemene handleiding op de site. Gebruik indien mogelijk altijd flexibele koppelingen.

In motoren met olie gesmeerde lagers of een olie mist type smeersysteem, koppel de koelings- en smeringsbuizen (indien beschikbaar) aan.

Voor oliegesmeerde lagers, moet het oliepeil in het midden van het kijklag.

Verwijder het vet om corrosie te vermijden aan het einde van de as en van de flens pas vóór de installatie van de motoren.

Behalve anders vermeld in de bestelbon zijn de WEG-motoren dynamisch uitgebalanceerd met een halve spie en losdraaiend (ontkoppeld) systeem. Aandrijvingscomponenten zoals bijvoorbeeld riemschijven, koppelingen, enz., moeten goed uitgebalanceerd worden voordat ze op de motoras worden geïnstalleerd. Let op de juiste inbouwpositie van de afvoer, zoals aangegeven in de handleiding op de website.



Blokkeer niet de ventilatie van de motor. Houd een minimale afstand van ¼ van de diameter van de vrije lucht inlaat van het ventilatierooster in relatie tot de afstand van de muren. De lucht die wordt gebruikt voor de koeling van de motor moet op kamertemperatuur zijn, met inachtneming van de temperatuur vermeld op het typeplaatje van de motor.

Voor motoren gemonteerd in onbedekte omgevingen of in een verticale positie gemonteerd is het noodzakelijk een extra bescherming te gebruiken tegen het binnendringen van vloeistoffen en / of vaste deeltjes, bijvoorbeeld het gebruik van een beschermkap.

Om ongelukken te voorkomen, zorg ervoor, voordat u de motor start, dat de aarding is gedaan volgens de van kracht zijnde regelgeving en dat de spie is vastgezet.

Sluit de motor correct op het net aan via veilige, permanente contacten, altijd met inachtneming van de op het typeplaatje vermelde gegevens, zoals spanning, schakelschema's, enzovoort.

De aanhaalmomenten in Tabel 3.1 moeten worden aangehouden voor het aansluiten van voedingskabels en aarding en voor montage van klemmenkast en regendak.

Tabel 3.1 – Aanhaalmoment voor het fixeren van onderdelen (Nm)

Component	M4	M5	M6	M8	M10	M12	M14	M16	M20	UNF 8x32	UNF 10x32	UNC 10x24
Klemmenblok pinnen	1,0 - 1,5	2,0 - 4,01)	4,0 - 6,5	6,5 - 9,0	10,0 - 18,0	15,5 - 30	-	30 - 50	50 - 75	1,0 - 2,0	-	-
Aarding	1,5 - 3,0	3,0 - 5,0	5,0 - 10,0	10,0 - 18,0	28,0 - 40,0	45,0 - 70,0	-	115,0 - 170,0	-	-	-	2,5 - 3,0
Klemmenkast deksel	-	3,0 - 5,0	4,0 - 8,0	8,0 - 15,0	18,0 - 30,0	25,0 - 40,0	30,0 - 45,0	35,0 - 50,0	-	-	-	2,5 - 3,0
Regendak geïntegreerd in de waaierkap	1,5 - 2,3	3,5 - 5,0	6,0 - 9,0	14,0 - 20,0	-	-	-	-	-	-	1,0 - 1,5	-
Regendak geïntegreerd in niet-aandrijfszijde schild	-	3,5 - 5,0	6,0 - 9,0	14,0 - 20,0	-	-	-	-	-	-	1,5 - 2,0	2,5 - 3,0

1) Het toegestane aanhaalmoment voor het 12-pins klemmenbord is: minimaal 1.5Nm en maximaal 2.5Nm.

Voor de dimensionering van de stroomkabels en het schakeelenheden van apparatuur en beveiligingsystemen moeten in acht worden genomen, onder anderen: de nominale motorstroom, de bedrijfsfactor en de lengte van de kabels. Voor motoren zonder klemmenbord, isoleer de eindkabels van de motor met behulp van isolatiematerialen in overeenstemming met de isolatieklasse aangegeven op het typeplaatje. De minimale afstand tussen niet-geïsoleerde onderdelen onderling en tussen onderdelen en aarde moeten voldoen aan de lokaal geldende normen en reglementen.



Neem de benodigde maatregelen om zeker te zijn dat de beschermingsgraad zoals aangegeven op het typeplaatje gehandhaafd blijft:

- Ongebruikte kabelingen in de klemmenkast moeten op de juiste wijze zijn afgesloten met blinddoppen;
- De gebruikte kabelingen moeten worden voorzien van componenten zoals wartels en kabelaansluitingen;
- Onderdelen welke los meegeleverd worden (bijv. extra klemmenkasten) moeten op de juiste wijze afgesloten en verzegeld zijn;
- Bevestigingsmateriaal gemonteerd in draadgaten in de motor (bijv. de flens) moeten naar behoren aangedraaid worden.

De motor moet zijn uitgerust met een beveiliging tegen overlading. Voor driefasemotoren is de installatie van beveiligingsystemen tegen fase-uitval ook aanbevolen. Als de motor is uitgerust met een temperatuurmonitoring systeem, dient deze aangeschakeld zijn tijdens het gebruik alsmede tijdens de tests.

Controleer de correcte werking van accessoires (rem, encoder, thermische beveiliging, ventilatie, enz.) die op de motor geïnstalleerd zijn voor de inbedrijfstelling.



Motoren uitgerust met thermische beschermers van het Automatische type worden automatisch hergestart zodra de motor afkoelt. Maak dus geen gebruik van motoren met automatische thermische beveiliging in toepassingen waar de automatische herstart kan gevaarlijk zijn voor mensen of voor de apparatuur.

Motoren uitgerust met thermische beschermers van het Handmatige type worden handmatig hergestart na de inwerkingtreding. Als een thermische beschermers van het type Automatisch of Handmatig type in werking is getreden, schakel de motor van het elektriciteitsnet en controleer de oorzaak van de inbedrijftreding van de thermische beschermers.

W22 Magnet motoren mogen alleen in werking worden gezet door een WEG-frequentieomvormer.

Voor informatie over het gebruik van de frequentieomvormer moet men verplicht de instructies volgen van de handleiding van de motor op de site www.weg.net en van de handleiding van de frequentieomvormer.

4. BEDIENING



Raak tijdens de bediening, de onder spanning staande delen niet aan en raak nooit draaiende delen aan en houdt afstand van deze delen. Zorg ervoor dat de verwarming uitgeschakeld is tijdens de werking van de motor.

De nominale prestatiewaarden en de bedrijfsomstandigheden staan vermeld op het typeplaatje van de motor. De spanningvariaties en de voedingsfrequentie mogen niet hoger zijn dan de limieten bepaald door de geldende normen.

Eventuele afwijkingen van de normale werking (de werking van thermische beschermers, geluidstoename, trillingen, temperatuur en stroom) moeten worden geëvalueerd door bevoegd personeel. Bij twijfel zet de motor onmiddellijk af en neem contact op met de dichtstbijzijnde WEG-geautoriseerde technische assistent.

Het gebruik van een rollager voor directe koppeling wordt niet aanbevolen. Motoren uitgerust met rollagers vereisen een minimale radiale belasting voor een goede werking.

Tijdens de uitschakeling van de machine, moeten de smeersystemen van de olielagers of oil mist en de koelsystemen gekoppeld blijven tot het stilstaan van de machine.

Na het stoppen van de motor, moeten de koelsystemen, geforceerde of druk (indien aanwezig) smeersystemen worden uitgeschakeld en de verwarmingsweerstand moet worden ingeschakeld.

5. ONDERHOUD



Voordat enige onderhoudswerkzaamheden worden verricht, moet de motor volledig zijn stopgezet, losgekoppeld van het lichtnet en beschermd worden tegen een eventuele herstart. Zelfs als de motor wordt gestopt kunnen er spanningen voorkomen in de verwarmingsweerstand.

Bij motoren die zijn uitgerust met condensatoren, dienen deze ontladen te worden voordat zij behandeld kunnen worden of enige werkzaamheden kunnen worden uitgevoerd.

De ontmanteling van de motor tijdens de garantieperiode mag alleen worden uitgevoerd door een WEG-geautoriseerde technische assistent.

Bij motoren met een permanente magneet rotor (W22 Quattro en W22 Magnet), vereisen de montage en demontage van de motor het gebruik van geschikte gereedschappen vanwege de aantrekkings- of afstotingskrachten die ontstaan tussen de metalen onderdelen. Deze werkzaamheden mogen alleen worden uitgevoerd door een WEG-geautoriseerde technische assistent speciaal getraind voor dit werk. Pacemaker-gebruikers mogen deze motoren niet bedienen. De permanente magneten kunnen storingen veroorzaken op andere elektrische apparatuur en componenten tijdens het onderhoud. Voor de W50 en HGF motor lijnen voorzien van axiaalventilatoren, de motor en de axiale ventilator hebben verschillende markeringen voor het aangeven van de draairichting te voorkomen dat verkeerde montage. De axiale ventilator moet worden gemonteerd dat de indicatieve pijl voor de draairichting is altijd zichtbaar, het bekijken van de niet-aangedreven einde kant. De markering aangegeven op de axiale ventilatorblad, CW voor rechtse draairichting of CCW voor linkse draairichting geeft de draairichting van de motor bekijken van de schijf eindzijde.

Inspecteer periodiek de motor na de inbedrijfstelling ervan, zorgende voor een vrije doorstroming van lucht. Inspecteer de pakkingen, de bouten, de lagers, geluids- en trillingsniveaus, de afvoer, enzovoort. De smeerinterval is aangegeven op het typeplaatje van de motor.

6. AANVULLENDE INSTRUCTIES

Voor aanvullende instructies over vervoer, opslag, handeling, installatie, bediening en onderhoud van elektrische motoren, ga naar de website www.weg.net.

Voor toepassingen en bijzondere werkomstandigheden (bijv. rookextractie motor, *totally enclosed air over* (TEAO), motoren voor hoge radiale en axiale belastingen, motoren met remmen) raadpleeg de handleiding op de website of neem contact met WEG op.

Wanneer u WEG contacteert, neem dan een volledige beschrijving van de motor, evenals het serienummer en de fabricage datum vermeld op het typeplaatje van de motor.

7. GARANTIEVOORWAARDEN

WEG Equipamentos Eléctricos S/A, Motors Business Unit ('WEG') biedt garantie tegen defecten in het geleverde werk en materiaal van zijn producten. De garantie is geldig gedurende 18 maanden gerekend vanaf de factuurdatum van de fabriek of de leverancier/dealer, tot maximaal 24 maanden vanaf de vervaardigingsdatum.

Op motoren uit de 'HGF Line' geldt een garantietermijn van 12 maanden gerekend vanaf de factuurdatum van de fabriek of leverancier/dealer, tot maximaal 18 maanden vanaf de vervaardigingsdatum.

De paragrafen hierboven bevatten de wettelijke garantietermijnen.

Als een garantietermijn in de reclametekst of in de begeleidende technische informatie van een bepaalde verkoopactie op een andere manier vermeld staat, dan vervangt deze de bovengenoemde voorwaarden.

De bovengenoemde garantietermijnen houden geen rekening met de installatie- en de opstartdatum van het product.

Als er een defect of een afwijking gedetecteerd wordt tijdens de bediening van het apparaat, dient de klant WEG onmiddellijk schriftelijk te verwittigen over het opgetreden defect. Hij dient ook te zorgen dat WEG of het gevolmachtigde servicecentrum alle tijd en ruimte heeft om de oorzaak van het defect te vinden, om de garantiedekking te controleren, en om de juiste reparaties uit te voeren.

De garantie is alleen geldig als de klant de aanwijzingen van de technische documenten van WEG opgevolgd heeft, met name de aanwijzingen die in de handleiding 'installatie, bediening en onderhoud', staan, evenals de regels en voorschriften die van toepassing en van kracht zijn in het betreffende land.

Defecten die voortkomen uit ongepast of onachtzaam gedrag in het gebruik, de bediening en/of de installatie van het materiaal, het nalaten van preventief onderhoud, en defecten die voortkomen uit externe factoren of materiaal en onderdelen die niet door WEG geleverd zijn, vallen niet onder deze garantie.

De garantie is niet geldig als de klant naar eigen goeddunken reparaties en/of aanpassingen doet aan het materiaal zonder vooraf schriftelijk toestemming te hebben gevraagd aan WEG.

De garantie geldt niet voor materiaal en onderdelen waarvan de verwachte levensduur over het algemeen korter is

dan de garantietermijn. Deze garantie geldt ook niet bij defecten en/of problemen die voortkomen uit overmacht of een oorzaak hebben die niet is toe te schrijven aan WEG, zoals onder andere: het aanleveren van incorrecte of onvolledige gegevens door de klant; vervoer, opslag, behandeling, installatie, bediening en onderhoud die niet in overeenstemming is met de geleverde instructies; ongelukken; defecten met betrekking tot de constructie; gebruik op een manier of in een omgeving die niet aangepast is aan het ontwerp van de machine; materiaal en/of onderdelen die behoren tot de leveringsmogelijkheden van WEG. Demontagediensten in het huis van de koper, transportkosten, reis- verblijfkosten en voedseluitgaven voor het technische team van de servicecentra, indien dit door de klant wordt gevraagd, zijn niet bij deze garantie inbegrepen.

De diensten die onder de garantie vallen zullen alleen door het gemachtigde servicecentrum van WEG of door een van zijn fabrieken worden geleverd. Deze diensten zullen uitsluitend tijdens de garantieperiode worden geleverd.

De aansprakelijkheid van WEG beperkt zich tot het geleverde product; WEG is niet aansprakelijk voor indirecte schade of gevolgschade, zoals winstverlies of verlies van inkomsten en dergelijke die zouden kunnen voortkomen uit het contract dat door beide partijen getekend is.

ITALIANO

1. PREFAZIONE

L'installazione, l'uso e la manutenzione devono essere realizzate sempre da personale specializzato, tramite l'utilizzo di strumenti e metodi adeguati e, ancora, seguendo le indicazioni contenute nei documenti forniti unitamente al motore.

Le istruzioni presentate in questo documento sono valide per i motori WEG, che possiedono le seguenti caratteristiche:

- Motori ad induzione trifase e monofase (con rotore a gabbia);
- Motori trifase a magneti permanenti;
- Motori trifase ibridi (con rotore a gabbia + magneti permanenti).

L'obiettivo di questo manuale è quello di fornire informazioni importanti che dovranno essere osservate durante il trasporto, l'immagazzinamento, l'installazione, l'uso e la manutenzione dei motori WEG. Per questo motivo, raccomandiamo di leggere attentamente le istruzioni qui contenute prima di realizzare qualsiasi intervento sul motore. La non osservanza delle istruzioni indicate in questo manuale e ulteriormente riferite sul sito www.weg.net annulla gli effetti della garanzia sul prodotto e può provocare seri danni alle persone ed ai materiali.

I motori elettrici possiedono circuiti sotto tensione e componenti rotanti esposti che possono causare danni alle persone.

2. TRASPORTO, IMMAGAZZINAMENTO ED UTILIZZO.

Verificare le condizioni del motore al momento del ricevimento della merce. Nel caso in cui dovessero essere individuati eventuali danni, ciò dovrà essere messo per iscritto insieme al vettore responsabile del trasporto, e comunicato immediatamente alla compagnia di assicurazione e alla WEG. In questo caso, nessuna installazione deve essere iniziata prima che il problema individuato sia stato risolto.

Le informazioni contenute nella scheda di identificazione devono corrispondere a quelle riportate nella fattura fiscale del prodotto e alle condizioni dell'ambiente di utilizzo in cui il motore verrà installato. Nel caso in cui il motore non dovesse venir installato immediatamente, si raccomanda di conservarlo in luogo pulito e asciutto, senza la presenza di polvere, vibrazioni e rumore, gas e agenti corrosivi, e con un'umidità relativa dell'aria non superiore al 60%. Per evitare la condensa dell'acqua all'interno del motore durante il periodo in cui esso viene conservato, si raccomanda di conservare la resistenza di riscaldamento collegata (quando ciò è possibile). Per evitare ossidazione e garantire una distribuzione eterogenea del lubrificante, ruotare l'asse del motore almeno una volta al mese (facendogli fare almeno 5 giri) e lasciarlo sempre in una posizione diversa. Per quanto riguarda i cuscinetti dotati di sistema di lubrificazione di tipo oil mist, il motore deve essere conservato in posizione orizzontale con l'olio ISO VG 68 nei cuscinetti e nelle quantità indicate sul manuale messo a disposizione sul sito, e l'asse del motore deve essere ruotato ogni settimana. Se i motori con cuscinetti aperti sono conservati più di sei mesi, i cuscinetti devono essere lubrificati, con la quantità di grasso indicato sulla targhetta, prima della messa in servizio del motore. Nel caso in cui i motori vengano immagazzinati per oltre 2 anni, si raccomanda di sostituire i cuscinetti oppure di rimuoverli, lavarli, realizzare ispezioni e lubrificarli nuovamente prima di mettere in funzione il motore. Trascorso questo periodo di immagazzinamento, si raccomanda anche di sostituire eventuali condensatori d'avviamento per i monofasi in seguito ad eventuali perdite delle caratteristiche operative.



Ogni manipolazione e maneggio del motore deve essere realizzato in modo attento per evitare impatti e danni ai cuscinetti e con il dispositivo di trasporto/blocco dell'asse (nel caso in cui sia stato fornito di ciò) sempre installato.

Sollevarlo sempre il motore tramite gli appositi anelli, che sono stati progettati solo per il peso del motore e che non devono essere utilizzati per sollevare carichi aggiuntivi al motore stesso.

Gli anelli di sollevamento dei componenti, come la scatola di avviamento, il coperchio deflettore, ecc., devono essere utilizzati soltanto quando queste parti vengono smontate. Per i motori con piedi rimovibili (multimounting motors), i golfari di sollevamento devono essere posizionati secondo posizione di montaggio in modo tale che l'angolo di sollevamento sia allineato verticalmente (sollevamento a 0°). Informazioni aggiuntive circa gli angoli massimi di sollevamento sono indicati sul manuale generale disponibile sul sito.

Misurare periodicamente la resistenza di isolamento del motore e, prima di collegarlo alla tensione elettrica per la prima volta, verificare i valori indicati e le procedure di misurazione indicate sul sito.

3. INSTALLAZIONE



Durante l'installazione, i motori devono essere protetti da eventuali avviamenti accidentali. Verificare il senso di rotazione del motore, avviandolo a vuoto prima di allacciarlo al carico.

Rimuovere i dispositivi di trasporto e di bloccaggio dell'albero (se in dotazione) prima di iniziare l'installazione del motore.

I motori devono essere montati esclusivamente in locali compatibili con le loro caratteristiche di costruzione e negli usi e ambienti per i quali sono stati progettati.

I motori dotati di piedini devono essere installati sopra basamenti progettati in modo specifico, per evitare vibrazioni e garantire un allineamento perfetto. L'asse del motore deve essere adeguatamente allineato con l'asse del macchinario collegato. Un allineamento non corretto, così come una tensione non idonea delle cinghie di comando, danneggeranno sicuramente i cuscinetti provocando, di conseguenza, eccessive vibrazioni, fino a provocare alla rottura dell'asse. Devono essere rispettati i carichi radiali e assiali utilizzabili sull'asse ed indicati nel manuale generale specificato sul sito. Utilizzare, ogni qualvolta sia possibile, giunti di accoppiamento flessibili.

Nei motori dotati di cuscinetti con lubrificazione ad olio o con sistema di lubrificazione del tipo oil mist, collegare i tubi di raffreddamento e della lubrificazione (nel caso in cui essi siano a disposizione).

Per i cuscinetti lubrificati a olio, il livello dell'olio deve essere al centro del vetro spia.

Rimuovere il grasso di protezione per le corrosioni dall'estremità dell'asse e dalla flangia, soltanto prima dell'installazione del motore. A meno che sia stato specificato il contrario nell'ordine di acquisto, i motori WEG sono bilanciati dinamicamente con "mezza chiave" e non allacciati. Gli elementi di trasmissione, come pulegge, giunti di accoppiamento, ecc., devono essere adeguatamente bilanciati prima di essere montati sull'asse del motore. Osservare la corretta posizione di montaggio dei drenaggi, così come indicato sul manuale del sito.



Non ostruire la ventilazione del motore. Tenere una distanza libera minima di ¼ di diametro dall'ingresso dell'aria nel deflettore alla distanza delle pareti adiacenti. L'aria utilizzata per il raffreddamento del motore deve essere a temperatura ambiente; considerare i limiti di temperatura indicati sulla scheda di identificazione del motore.

Per i motori installati all'aperto montati in ambienti scoperti o montati in posizione verticale, è necessario l'uso di una protezione aggiuntiva contro le infiltrazioni di liquidi e/o particelle solide, come ad esempio l'uso di una cappa di copertura.

Per evitare incidenti, assicurarsi, prima di alimentare il motore, che sia stata realizzata la messa a terra, così come specificato dalle norme in vigore e che la chiave di estremità albero sia stata fissata correttamente.

Collegare il motore in modo corretto alla tensione elettrica di rete tramite contatti sicuri e permanenti, osservando sempre le informazioni specificate nella scheda di identificazione, come la tensione nominale, schema elettrico di collegamento, ecc.

Per i cavi di alimentazione e i collegamenti del sistema di messa a terra, la scatola della morsetti e il coperchio della giaccolamento devono essere rispettate le coppie di serraggio indicate nella Tabella 3.1.

Tabella 3.1 – Valori di serraggio per gli elementi di fissaggio [Nm]

Componente	M4	M5	M6	M8	M10	M12	M14	M16	M20	UNF 8x32	UNF 10x32	UNC 10x24
Barra morsettiera	1,0 a 1,5	2,0 a 4,0 ¹⁾	4,0 a 6,5	6,5 a 9,0	10,0 a 18,0	15,5 a 30,0	-	30,0 a 50,0	50,0 a 75,0	1,0 a 2,0	-	-
Messa a terra	1,5 a 3,0	3,0 a 5,0	5,0 a 10,0	10,0 a 18,0	28,0 a 40,0	45,0 a 70,0	-	115,0 a 170,0	-	-	-	2,5 a 3,0
Coperchio della scatola di collegamento	-	3,0 a 5,0	4,0 a 8,0	8,0 a 15,0	18,0 a 30,0	25,0 a 40,0	30,0 a 45,0	35,0 a 50,0	-	-	-	2,5 a 3,0
Copertura di gocciolamento installato nel coperchio della ventola	1,5 a 2,3	3,5 a 5,0	6,0 a 9,0	14,0 a 20,0	-	-	-	-	-	-	1,0 a 1,5	-
Copertura di gocciolamento installato nel bloccaggio non azionato	-	3,5 a 5,0	6,0 a 9,0	14,0 a 20,0	-	-	-	-	-	-	1,5 a 2,0	2,5 a 3,0

1) Per la barra morsettiera a 12 poli, la gamma di coppia di serraggio consentita è: minimo 1.5 Nm e massimo 2.5 Nm.

Per il corretto dimensionamento dei cavi di alimentazione e dei dispositivi di manovra e di protezione, bisogna considerare tra i diversi fattori: la corrente nominale del motore, il fattore di servizio, la lunghezza dei cavi. Per i motori senza la morsettiera, isolare i cavi terminali del motore utilizzando materiali isolanti compatibili con la classe di isolamento specificata nella scheda di identificazione. La distanza minima di isolamento tra le parti in tensione non isolate e tra le parti in tensione e la messa a terra deve rispettare gli standard e le normative applicabili per ciascun paese.



Prendere le misure necessarie per garantire il grado di protezione indicato sulla targhetta del motore:

- i fori di ingresso del cavo non utilizzati nelle casse terminali devono essere chiusi correttamente con tappi di chiusura;
- le uscite dei cavi utilizzate devono essere dotate di componenti, come le guarnizioni e le condutture;
- i componenti in dotazione forniti (ad es. scatole terminali montate separatamente) devono essere chiuse e sigillate;
- gli elementi di fissaggio montati nei fori passanti filettati nella custodia del motore (ad esempio, la flangia) devono essere opportunamente sigillati.

Il motore deve essere installato con i dispositivi di protezione contro i sovraccarichi. Per i motori trifase si consiglia inoltre l'installazione di sistemi di protezione in caso di mancanza di una fase. Nel caso in cui il motore non disponga dei dispositivi di monitoraggio della temperatura, essi devono essere previsti durante il funzionamento, così come durante i collaudi.

Verificare il corretto funzionamento degli accessori (freno, encoder, protezione termica, ventilazione forzata, ecc.) montati sul motore, prima di avviarlo in opera.



Motori dotati di protezione termica del tipo Automatico si riavvieranno automaticamente dopo il loro raffreddamento. Per questo non utilizzare motori con protezione termica automatica, per impieghi, in cui il riavvio automatico, potrebbe diventare un pericolo sia per le persone che per la stessa attrezzatura.

Motori dotati di protezione termica del tipo Manuale devono essere riavviati manualmente dopo l'intervento della protezione. Nel caso in cui la protezione termica, sia di tipo Automatico o Manuale dovesse intervenire, scollegare il motore dalla rete elettrica e verificare la causa per cui è intervenuta la protezione termica.

Motori W22 Magnet devono essere avviati soltanto tramite il convertitore di frequenza WEG.

Per ulteriori informazioni circa l'uso del convertitore di frequenza è obbligatorio seguire le istruzioni del manuale del motore sul sito www.weg.net e sul manuale del convertitore di frequenza.

4. FUNZIONAMENTO



Durante il funzionamento non toccare mai le parti sotto tensione e restare in prossimità delle parti in rotazione.

Assicuratevi che la resistenza di riscaldamento sia scollegata durante il funzionamento del motore.

I valori nominali delle prestazioni del motore e le condizioni di funzionamento sono specificate nella targhetta di identificazione del motore. Le variazioni di tensione e della frequenza di alimentazione non devono mai eccedere i limiti stabiliti dalle norme in vigore.

Possibili devianze in relazione al funzionamento normale (attivazione delle protezioni termiche, aumento della rumorosità, vibrazioni, temperatura e corrente) devono essere valutate dal personale competente. In caso di dubbi, spegnere il motore immediatamente e contattare l'assistente tecnico autorizzato della WEG, più vicino. Non è raccomandabile l'utilizzo di cuscinetti a rulli per l'accoppiamento diretto. Motori dotati di cuscinetti a rullini hanno bisogno di un carico radiale minimo per poter ottenere una prestazione soddisfacente.

Durante lo spegnimento della macchina, i sistemi di lubrificazione dei cuscinetti a olio o del tipo a oil mist e il sistema di raffreddamento devono restare accesi fino al fermo completo della macchina.

Dopo l'arresto del motore, i sistemi di raffreddamento e il sistema di lubrificazione (se dovesse esserci) devono essere spenti e le resistenze di riscaldamento devono essere accese.

5. MANUTENZIONE



Prima di iniziare qualsiasi intervento sul motore, esso deve essere completamente fermo, scollegato dalla rete di alimentazione e protetto da un eventuale riavvio automatico. Anche quando il motore è fermo potrebbe esserci tensione nei terminali delle resistenze di riscaldamento.

Nei motori dotati di convertitori, scollegare gli stessi prima di realizzare interventi o eseguire qualsiasi servizio di manutenzione.

Lo smontaggio del motore durante il periodo di garanzia può essere realizzato soltanto dagli assistenti tecnici autorizzati della WEG.

Per i motori dotati di rotore a magneti permanenti (W22 Quattro e W22 Magnet), il montaggio e lo smontaggio del motore necessita dell'utilizzo di dispositivi adeguati, in funzione delle forze di attrazione o repulsione presenti fra elementi metallici. Questa operazione può essere realizzata soltanto dagli assistenti tecnici autorizzati della WEG, i quali sono stati addestrati in modo specifico per realizzare queste operazioni. Persone portatrici di by-pass coronarico non possono realizzare interventi su questi motori. I magneti permanenti possono inoltre provocare disturbi o danni ad altre attrezzature elettriche e nei componenti, durante le operazioni di manutenzione.

Per le linee motore W50 e HGF forniti con ventilatori assiali, il motore e la ventola assiale hanno marcature differenti per indicare la direzione di rotazione per evitare montaggi errati. Il ventilatore assiale deve essere montato in modo tale che la freccia indicativa per il senso di rotazione è sempre visibile, la visualizzazione del lato opposto accoppiamento. La marcatura indicata sulla lama ventilatore assiale, "CW" per senso di rotazione orario o "CCW" per il senso di rotazione antiorario, indica il senso di rotazione della visualizzazione del lato accoppiamento motore.

Realizzare ispezioni periodiche per verificare il funzionamento del motore, in base agli usi a cui è destinato e assicurando quindi un flusso libero d'aria. Verificare le guarnizioni, le viti di fissaggio, i cuscinetti, le livelli di vibrazione e rumore, i drenaggi, ecc.

L'intervallo di lubrificazione è specificato sulla targhetta del motore.

6. ISTRUZIONI AGGIUNTIVE

Per informazioni aggiuntive circa il trasporto, l'immagazzinamento, l'utilizzo, l'installazione, il funzionamento e la manutenzione dei motori elettrici, accedere al sito www.weg.net.

Per utilizzi e condizioni speciali di funzionamento (ad esempio: *smoke extraction motor*, *totally enclosed air over* (TEAO), motori ad alti carichi radiali e assiali, motori dotati di servofreno) è necessario consultare il manuale sul sito o entrare in contatto con la WEG.

Nel caso in cui si voglia entrare in contatto con la WEG, tenere a portata di mano la descrizione completa del motore, così come il relativo numero di serie e la data di fabbricazione.

7. TERMINI DI GARANZIA

WEG Equipamentos Eléctricos S/A, Divisione motori WEG, offre una garanzia che copre i difetti di mano d'opera e materiali per i propri prodotti per un periodo di 18 mesi a decorrere dalla data della fattura emessa dalla fabbrica o dal distributore/ rivenditore, limitata a 24 mesi successivi alla data di produzione.

I motori della linea HGF Line sono coperti per un periodo di 12 mesi a decorrere dalla data della fattura emessa dalla fabbrica o dal distributore/rivenditore limitata a 18 mesi successivi alla data di produzione.

I paragrafi di cui sopra contengono i periodi di garanzia legale.

Se un periodo di garanzia è definito in una maniera differente nello scopo commerciale/tecnico di una particolare vendita, ciò sostituirà i "limiti di tempo" esposti di cui sopra.

I "periodi di garanzia" di cui sopra sono indipendenti dalla data d'installazione e di messa in funzione del prodotto.

Qualora venga rilevato un qualsivoglia difetto o evento anomalo durante il funzionamento della macchina, il cliente deve immediatamente notificare a WEG il difetto verificatosi e mettere a disposizione di WEG o del Centro assistenza autorizzato il prodotto per il periodo richiesto ad identificare la causa del difetto, controllare la copertura di garanzia ed eseguire le riparazioni appropriate.

Affinché la garanzia sia valida, il cliente deve accertarsi di osservare i requisiti dei documenti tecnici di WEG specialmente quelli esposti nel Manuale d'installazione, uso e manutenzione, nonché gli standard e le normative applicabili vigenti in ciascun stato.

Gli eventuali difetti che sorgano dall'uso, dall'azionamento e/o dall'installazione inappropriata o negligente dell'apparecchiatura e dalla mancata esecuzione della manutenzione regolare, nonché i difetti che risultino da fattori esterni o da attrezzature e componenti non forniti da WEG non verranno coperti da garanzia.

La garanzia non si applicherà se il cliente a propria discrezione ripara e/o apporta modifiche all'apparecchiatura senza il previo consenso di WEG.

La garanzia non coprirà le apparecchiature, i componenti, le "parti" e i materiali la cui durata di vita utile sia usualmente più breve del periodo di garanzia. La garanzia non coprirà difetti e/o problematiche risultanti da cause di forza maggiore o da altre cause non imputabili a WEG, quali per esempio, ma senza limitarvisi: specifiche o dati errati o incompleti forniti dal cliente; trasporto, stoccaggio, movimentazione, installazione, utilizzo e manutenzione non conformi alle istruzioni fornite; incidenti; difetti nei lavori di costruzione; utilizzo in applicazioni e/o ambienti per i quali la macchina non sia stata progettata; apparecchiature e/o componenti non inclusi nell'ambito della fornitura di WEG. La garanzia non include i servizi di smontaggio presso i locali dell'acquirente, i costi di trasporto del prodotto e le spese di viaggio, pernottamento e vitto per il personale tecnico dei Centri di assistenza il cui intervento sia richiesto dal cliente.

L'assistenza in garanzia verrà fornita esclusivamente presso i Centri assistenza autorizzati WEG o in uno dei suoi stabilimenti produttivi. In nessuna circostanza i centri assistenza estenderanno il periodo di garanzia dell'apparecchiatura.

La responsabilità civile di WEG è limitata al prodotto fornito; WEG non si assumerà alcuna responsabilità per danni indiretti o consequenziali quali perdita di profitti, perdita di entrate e simili che potrebbero sorgere dal contratto firmato dalle parti.

中文

1. 前言

电动机的安装、操作及维修必须由专业人员实施，使用合适的工具及方法并严格遵守随附文件的说明。

本手册适用于下列类型的WEG电动机：

- 三相及单相异步电动机（带鼠笼式转子）；
- 三相永磁同步电动机；
- 三相混合式电动机（带鼠笼式转子+永磁磁铁）。

本安全手册旨在提供在WEG电动机在运输、存放、安装、操作及维修过程中应当注意的重要事项。因此，我们建议您在操作发动机作前仔细阅读本手册的指示说明。忽视本手册及www.weg.net网站上所载说明将会导致保修失效并可能造成人员重伤及财产损失。


电动机带电电路及暴露的转子组件可能造成人身伤害。

2. 运输、存放和搬运

在验收时仔细检查电动机状态。如发现损坏迹象，应当书面通知货运公司并及时告知保险公司及WEG公司。在此情况下，应暂停安装工作直到问题圆满解决。

铭牌所刻的信息必须与产品发票及产品安装地操作环境条件相符。如不立即安装电动机，我们建议将其保存在干燥、无灰尘、无振动、无腐蚀性气体和物质及空气相对湿度不超过60%的地方。

为防止在储存期间电动机内部凝露，建议将加热带保持打开状态（如备有）。为防止轴承氧化并确保润滑油均匀分布，每月至少旋转一次电机轴（至少转5圈），并将其保持在不同的位置上。在轴承配有油雾型润滑系统时，电动机应放置于水平位置，轴承采用ISO VG68油，油量根据网站上提供的说明书指示，并应每周旋转轴承。如果装有开放式轴承的电机，储存时间超过六个月，在使用前，轴承必须根据铭牌标识的油脂重新加注油脂。如电动机存放时间超过两年，建议在使用前更换轴承或将其取下、洗净、检验及润滑。在此存储期后，由于启动电容器可能的操作特性损耗，还建议更换其。

 为了避免轴承受到撞击并损坏，一定要小心搬运电动机，并保证轴承的运输/锁定装置（如提供）始终安装。使用吊环螺栓提起电动机。注意，这些螺栓只能承载电动机的重量，决不能用来提起额外重物。其他组件如接线盒、导流盖等的吊环螺栓，应仅用于拆卸时提起这些部件。对于铝机壳电机（底部可拆卸），吊环位置必须与电机安装一致即提升角度垂直对齐（提升角度0°）。

定期并主要在第一次通电前检测电动机绕组的绝缘电阻。查看额定电阻值并在网站上查阅检测程序。

3. 安装



在安装过程中,应注意防止电动机意外启动。在负载前单独启动电动机,检查其旋转方向。

在开始安装电机之前移走运输装置和轴锁紧装置(如有提供)。

电动机只能安装于符合其设定特征的地点,而且其应用及环境应与原设计相一致。

为防止振动和精确对齐,带脚电动机应安装在正确规划的底座上。电动机轴必须与驱动电机轴正确对齐。未对准的连接以及传动带张力不当很可能会损坏轴承,导致过度的振动,甚至引起轴断裂。在所有可行的情况下,应尽量使用弹性联轴器。在电动机带有含油自润滑轴承或油雾润滑系统时,请连接冷却管道与润滑管道(如适用)。

对于油润滑的轴承,油位必须在中央玻璃的视线。未安装前不要去去除轴头和法兰上的防腐蚀性油脂。

除非另有说明,WEG电动机以“半键”式及单独(非连接)进行动平衡校正。如滑轮、联轴器等各传输配件必须在安装于电机轴前进行正确的平衡校正。根据网站上的说明书指示注意正确的排水管安装位置。



不要阻挡电动机的通风。离墙壁保留最少挡板入风口直径 $\frac{1}{4}$ 的距离。用于冷却电动机的空气必须保持室温,不得超过电机铭牌上显示的温度。

对于安装在室外或垂直位置的电动机,必须使用遮盖物进行额外的雨水防护。

为了避免意外事故,在发动前请确保接地是否根据现行规定接好、电机键是否牢固。

对于接线电缆和接地系统连接,接线盒和防雨帽组件,必须遵循表3.1所示的紧固扭矩。

表 3.1 – 固定元件紧固扭矩 [Nm]

组件	M4	M5	M6	M8	M10	M12	M14	M16	M20	UNF 8x32	UNF 10x32	UNC 10x24
接线柱	1 至 1,5	2 至 4 ¹⁾	4 至 6,5	6,5 至 9	10 至 18	15,5 至 30	-	30 至 50	50 至 75	1 至 2	-	-
接地	1,5 至 3	3 至 5	5 至 10	10 至 18	28 至 40	45 至 70	-	115 至 170	-	-	-	2,5 至 3
接线盒盖	-	3 至 5	4 至 8	8 至 15	18 至 30	25 至 40	30 至 45	35 至 50	-	-	-	2,5 至 3
安装到风罩上的防雨帽	1,5 至 2,3	3,5 至 5	6 至 9	14, 至 20	-	-	-	-	-	-	1 至 1,5	-
安装到后端盖上的防雨帽	-	3,5 至 5	6, 至 9	14 至 20	-	-	-	-	-	-	1,5 至 2	2,5 至 3

1)对于12针端子排,允许的拧紧扭矩范围为:最小 .15Nm,最大2.5Nm。

通过安全、永久的接触将电机正确连接到电力网络,注意铭牌上标示的如额定电压、接线方式等数据。选择电源线、开关和保护装置规格时必须考虑电机额定电流、服务因素、电缆长度等等。对于没有端子台的电动机,请使用与铭牌所示绝缘等级兼容的绝缘材料将电机电缆绝缘端绝缘。非绝缘带电部件本身和带电部件与接地之间的最小爬电距离必须符合每个国家适用的标准和规定。



采取必要的措施在铭牌上标明防护等级:

-接线盒中未使用的电缆入口孔必须用堵头妥善关闭;

-使用的电缆线引入线必须安装组件,例如格兰头和导管;

-提供附加的组件(例如,独立安装的接线盒)必须正确的关闭和密封;

-安装在电机外壳(例如,法兰)中的螺纹通孔中的固定元件必须被适当地密封。

电动机必须配有抗过载保护装置。对于三相电机,建议安装抗断相保护系统装置。如电机配有温度监控装置,该装置应在操作过程及测试中开启。

在电动机投入运行前检查确认安装的各配件是否正常工作(刹车器、编码器、热保护器、强制通风机等)。



配备有自动式热保护器时,电动机在冷却后会重新启动。因此,当自动重新启动能对人身或设备造成危险时,不要使用配有自动热保护器的电动机。

配备有手动型热保护器时,跳闸后必须手动重新启动电动机。如自动或手动式热保护器启动,应将电机从电网断开并检查热保护器跳闸的原因。W22 Magnet电机仅可由WEG变频器启动。

有关变频器使用的信息，必须遵守www.weg.net网站电动机说明书及变频器说明书的指示。

4. 操作



操作过程中，不要接触通电部分，而且绝对不要接触或太靠近旋转部分。

确保电机操作过程中加热带是关闭着的。

电机铭牌上标示有机械性能及操作条件的标称值。电压和供电频率的变化决不应超过现行规定的限额。可能出现的异常行为（热防护器的启动、噪音、振动、温度和电流的增加）应该由专业人员检测。如有疑问，立即关掉电机并与您最接近的WEG授权维修中心取得联系。

不建议直接使用滚子轴连接。装备有滚子轴承的电机需要一最小径向负荷来达到理想操作。在电机关闭过程中，含油式或油雾式轴承润滑系统（强制性及压力性）及冷却系统必须保持开动，直至其完全停止。电机停止后，应关闭冷却系统和强制性及压力性（如备有）润滑系统，并应开动加热带。

5. 维修



在开始任何维修服务前，电机必须完全停止，断开电源并有防止意外重新启动的防护。即使电机停转，加热带端头也有可能带电。在电机配备有电容器时进行任何搬运或修理工作前，将电容器放电。

在保修期内电机的拆卸只能由WEG授权的维修中心实行。

对于永磁转子（W22 Quattro和W22 Magnet），由于金属部件间的吸引力或排斥力，电动机的装配和拆卸需要使用特殊设备。此维修必须由受过专门训练的WEG特约维修中心进行。带心脏起搏器的人不能操作该发动机。永磁磁铁在维修过程中也可能导致对其他电气设备和零部件的损害或干扰。

对于设置有轴流式风扇的W50和HGF马达线路，马达和轴向风扇具有不同的标记，用于指示旋转方向为防止不正确的组装。轴流风扇必须装配使得对于旋转方向的指示箭头总是可见，观察非驱动端侧。在轴流风扇叶片的标记表示，顺时针旋转或者逆时针旋转的顺时针方向的顺时针方向，表示电动机观看驱动端侧的旋转方向。

根据电动机的不同用途进行定期检查，确保空气自由流通。检查垫圈、固定螺栓、轴承、振动程度、排水等。润滑时间间隔定电机铭牌上。

6. 其他说明

中国市场的三相异步电动机的设计满足中国能效标准要求，并按照规定在电机上施加中国能效标识卡。

有关电动机运输、存放、处理、安装、操作及维修的其他信息，请登录网站：www.weg.net。

有关特殊应用及作业条件（如排烟电机、完全封闭的气流在（TEAO）、较高径向和轴向负载电机、制动电机），请查阅网站说明书或与WEG联系。

与WEG联系时，请备好电动机的完整标志数据以及电机铭牌上标明的序列号和生产日期。

7. 保修书

WEG Equipamentos Elétricos S/A电机部门（以下简称“WEG”）为旗下产品的工艺和材料提供18个月保、自厂商或分销商/经销商开发票日期起计算，最长不超过制造日期后24个月。HGF系列电机自厂商或分销商/经销商开发票日期起保修12个月，最长不超过制造日期后18个月。

上述段落解释法定保修期。

如果在特定销售的商业/技术方案中，保修期以其它方式定义，则该保修期优先于上述期限。

上述保修期与产品安装日期和启动情况无关。

如果在机器运转期间检测到任何缺陷或异常情况，客户必须立即书面通知WEG，说明缺陷，并在规定期限内将产品递交给WEG或授权服务中心，以便甄别缺陷原因，检查保修范围并执行适当的修理。

为了保证保修有效，客户必须遵循WEG技术文件要求，特别是产品安装、操作和维护手册中提出的要求，以及各个国家当前适用的标准和法规。

本保修条款不包括因设备使用、操作和/或安装中的不当或疏忽、未执行定期预防性维护和产生的缺陷，以及外部因素或非WEG指定设备和组件引起的缺陷。

如果客户未经WEG事先书面同意而自行修理和/或改装设备，本保修将失效。

保修不包括寿命通常短于保修期的设备、组件、部件和材料。也不包括因不可抗力活WEG无责任的其他原因造成的缺陷和/或问题，例如，包括但不限于以下情况：客户提供的规格或数据有误或不完整；运输、存储、处理、安装、操作和维护未遵循随附的指示；意外事故；建筑工程缺陷；在机器不适用的应用和/或环境中使用；设备和/或组件不包括在WEP供货范围内。本保修不包括应客户要求提供的买方设施中的拆卸服务、产品运输成本和差旅费。服务中心技术人员住宿和餐饮费用。

保修服务只能在WEG授权服务中心或旗下制造工厂提供。保修服务不会延长设备保修期。

WEG民事责任仅限于随附产品：WEG对间接或从属损失（如多方签订的合同可能导致的利润损失和收入损失等）概不负责。

ARGENTINA

WEG EQUIPAMIENTOS
ELECTRICOS S.A.
Sgo. Pampiplongne 4849
Parque Industrial San Francisco,
2400 - San Francisco
Phone: +54 (3564) 421484
www.weg.net/ar

AUSTRALIA

WEG AUSTRALIA PTY. LTD.
14 Lakeview Drive, Scoresby 3179,
Victoria
Phone: +03 9765 4600
www.weg.net/au

AUSTRIA

WATT DRIVE ANTRIEBSTECHNIK
GMBH*
Wöllersdorfer Straße 68
2753, Markt Piesting
Phone: +43 2633 4040
www.wattdrive.com

LENZE ANTRIEBSTECHNIK

GES.M.B.H.*
Ipf - Landesstrasse 1
A-4481 Asten
Phone: +43 (0) 7224 / 210-0
www.lenze.at

BELGIUM

WEG BENELUX S.A.*
Rue de l'Industrie 30 D, 1400 Nivelles
Phone: +32 67 888420
www.weg.net/be

BRAZIL

WEG EQUIPAMENTOS
ELÉTRICOS S.A.
Av. Prof. Waldemar Grubba, 3000,
CEP 89256-900
Jaraquá do Sul - SC
Phone: +55 47 3276-4000
www.weg.net/br

CHILE

WEG CHILE S.A.
Los Canteros 8600,
La Reina - Santiago
Phone: +56 2 2784 8900
www.weg.net/cl

CHINA

WEG (NANTONG) ELECTRIC MOTOR
MANUFACTURING CO. LTD.
No. 128# - Xinkai South Road,
Nantong Economic &
Technical Development Zone,
Nantong, Jiangsu Province
Phone: +86 513 8598 9333
www.weg.net/cn

COLOMBIA

WEG COLOMBIA LTDA
Calle 46A N82 - 54
Portería II - Bodega 6 y 7
San Cayetano II - Bogotá
Phone: +57 1 416 0166
www.weg.net/co

DENMARK

WEG SCANDINAVIA DENMARK*
Sales Office of WEG Scandinavia AB
Verkstadgatan 9 - 434 22
Kumgöbacka, Sweden
Phone: +46 300 73400
www.weg.net/se

FRANCE

WEG FRANCE SAS*
ZI de Chenes - Le Loup13 / 38297
Saint Quentin Fallavier, Rue du Mo-
relon - BP 738 / Rhône Alpes, 38> Isère
Phone: +33 47499 1135
www.weg.net/fr

GREECE

MANGRINOX*
14, Grevenon ST.
GR 11855 - Athens, Greece
Phone: +30 210 3423201-3

GERMANY

WEG GERMANY GmbH*
Industriegebiet Tümnich 3
Geigerstraße 7
50169 Kerpen-Türnich
Phone: +49 2237 92910
www.weg.net/de

GHANA

ZEST ELECTRIC MOTORS (PTY) LTD.
15, Third Close Street Airport
Residential Area, Accra
Phone: +233 3027 66490
www.zestghana.com.gh

HUNGARY

AGISYS AGITATORS &
TRANSMISSIONS LTD.*
Tó str. 2. Torokbalint, H-2045
Phone: +36 (23) 501 150
www.agisys.hu

INDIA

WEG ELECTRIC (INDIA) PVT. LTD.
#38, Ground Floor, 1st Main Road,
Lower Palace, Orchards,
Bangalore, 560 003
Phone: +91 804128 2007
www.weg.net/in

ITALY

WEG ITALIA S.R.L.*
Via Viganò de Vizzi, 93/95
20092 Cinisello Balsamo, Milano
Phone: +39 2 6129 3535
www.weg.net/it

FERRARI S.R.L.*

Via Cremona 25 26015
Soresina (CR), Cremona
Phone: +39 (374) 340-404
www.ferrarisrl.it

STIAVELLI IRIO S.P.A.*

Via Pantano - Blocco 16 - Capalle
50010 , Campi Bisenzio (FI)
Phone: +39 (55) 898.448
www.stiavelli.com

JAPAN

WEG ELECTRIC MOTORS
JAPAN CO., LTD.
Yokohama Sky Building 20F, 2-19-12
Takashima, Nishi-ku, Yokohama City,
Kanagawa, Japan 220-0011
Phone: +81 45 5503030
www.weg.net/jp

MEXICO

WEG MEXICO, S.A. DE C.V.
Carretera Jorobas-Tula
Km. 3.5, Manzana 5, Lote 1
Fraccionamiento Parque
Industrial - Huehuetoca,
Estado de México - C.P. 54680
Phone: +52 55 53214275
www.weg.net/mx

NETHERLANDS

WEG NETHERLANDS*
Sales Office of WEG Benelux S.A.
Hanzeplein 23C, 7575 DB Oldenzaal
Phone: +31 541 571090
www.weg.net/nl

PORTUGAL

WEG EURO - INDÚSTRIA
ELECTRICA, S.A.*
Rua Eng. Frederico Ulrich,
Sector V, 4470-605 Maia, Apartado
6074, 4471-908 Maia, Porto
Phone: +351 229 477 705
www.weg.net/pt

RUSSIA

WEG ELECTRIC CIS LTD*
Russia, 194292, St. Petersburg, Pro-
spekt Kultury 44, Office 419
Phone: +7 812 36232172
www.weg.net/ru

SOUTH AFRICA

ZEST ELECTRIC MOTORS (PTY) LTD.
47 Galaxy Avenue, Linbro Business
Park - Gauteng Private Bag X10011
Sandton, 2146, Johannesburg
Phone: +27 11 7236000
www.zest.co.za

SPAIN

WEG IBERIA INDUSTRIAL S.L.*
C/ Tierra de Barros, 5-7
28823 Coslada, Madrid
Phone: +34 91 6553008
www.weg.net/es

SINGAPORE

WEG SINGAPORE PTE LTD
159, Kampong Ampat, #06-02A KA
PLACE, 368328
Phone: +65 68581081
www.weg.net/sg

SWEDEN

WEG SCANDINAVIA AB*
Box 27, 435 21 Mölnlycke
Visit: Designvägen 5, 435 33
Mölnlycke, Göteborg
Phone: +46 31 888000
www.weg.net/se

SWITZERLAND

BIBUS AG*
Allmendstrasse 26
8320 - Fehraltorf
Phone: +41 44 877 58 11
www.bibus-holding.ch

UNITED ARAB EMIRATES

The Galleries, Block No. 3, 8th Floor,
Office No. 801 - Downtown Jebel Ali
262508, Dubai
Phone: +971 (4) 8130800
www.weg.net/ae

UNITED KINGDOM

WEG (UK) Limited*
Broad Ground Road - Lakeside
Redditch, Worcestershire B98 8YP
Phone: +44 1527 513800
www.weg.net/uk

ERIKS*

Amber Way, B62 8WG
Halesowen, West Midlands
Phone: +44 (0)121 508 6000

BRAMMER GROUP*

PLC43-45 Broad St, Teddington
TW11 8QZ
Phone: +44 20 8614 1040

USA

WEG ELECTRIC CORP.
6655 Sugarloaf Parkway,
Duluth, GA 30097
Phone: +1 678 2492000
www.weg.net/us

VENEZUELA

WEG INDUSTRIAS VENEZUELA C.A.
Centro corporativo La Viña
Plaza, Cruce de la Avenida
Carabobo con la calle Uzlar de la
Urbanización La Viña /
Jurisdicción de la Parroquia San
José - Valencia
Oficinas 06-16 y 6-17, de la planta
tipo 2, Nivel 5, Carabobo
Phone: (58) 241 8210582
www.weg.net/ve



* European Union Importers